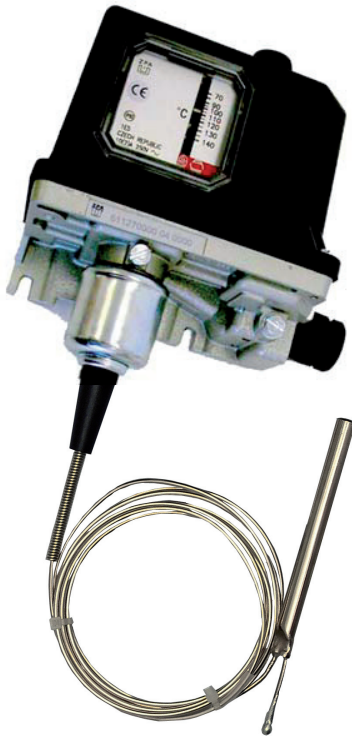


# Type 61127



## Max. temperature limiter capillary



### Characteristics

Range: -40°C to 210°C in 7 ranges  
 Contact load: ~ 250V/10A, cos 1  
 ~ 250V/2A, cos φ 0.6-0.3  
 = 250V/0,1A  
 = 48V/0,2A

Protection class: IP 65

Compact design

Connection by means of terminals on the switch or connector (except for switch B)

### Technical data

Ambient temperature: temperature range -40 to +60°C

Vibration during

operation:

f = 10 to 55 Hz, s<sub>a</sub> = to 0,15 mm

Min. service life:

at load by rated values according to the manual and max. speed of cycling up to 6 cycles/min is min.

100 000 cycles

Connection:

cable: Ø 9 ÷ 13 mm,

wires: 0,75 at 2,5 mm<sup>2</sup>

### Description - use

The main use is for protecting the device from heat overloading with the option of placing the limiter outside the temperature protection location. Emergency position is controlled by means of RESET button. Upon order, it is possible to deliver wells in brass design or stainless and rubber bushing in the walls, see Accessories.

Order No. *) 405 xxxxx xxx				Range	Unstability	Difference to	Time factor T [s]	Max. overloading to	Units	Length L [mm]	Diameter d [mm]	Weight [kg]
Design	Microswitch											
	A **)	B										
T	61127	601x	611x	-40 to 0	±1	2	up to 45	+60	°C	100	8,6	0,75
T	61127	602x	612x	-25 to 15								
T	61127	603x	613x	0 to 40	±1 ***)					+100	160	11,5
T	61127	604x	614x	30 to 90	±1,5			+150		100	8,6	0,75
T	61127	605x	615x	70 to 140	±2			+190				
T	61127	606x	616x	110 to 180				+220				
T	61127	607x	617x	140 to 210				±2,5				

Ambient temperature, where the controller cabinet is located, must be for ranges -40 to +15°C higher, and for ranges +30 to +210°C lower than the temperature protected.

405 61127 ...x

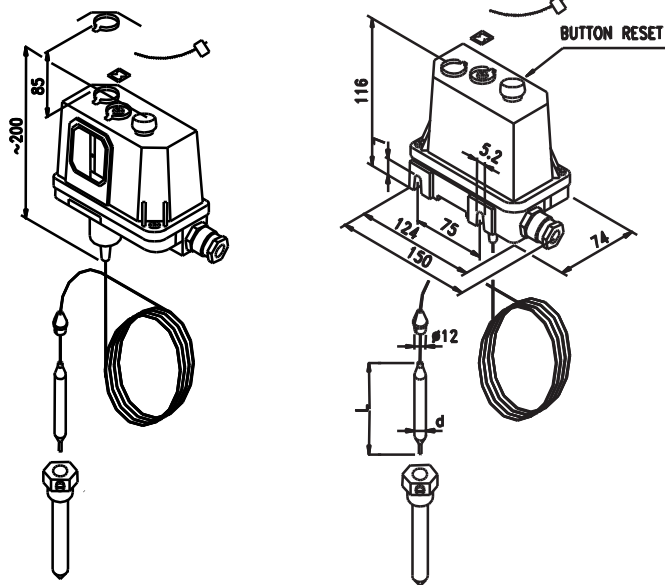
1 - capillary length 1,6 m  
 2 - capillary length 2,5 m  
 3 - capillary length 6,3 m

\*) Order number for devices with connector comprises of basic ordering number according to the table (only switch A) and additional number 01.

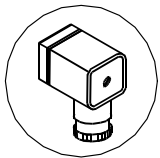
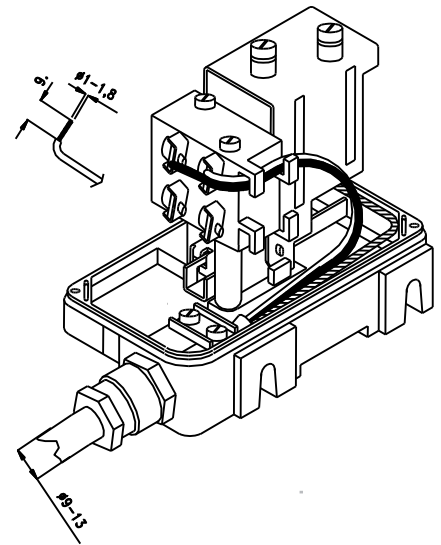
\*\*) Design with microswitch A only custom made.

\*\*\*) If the regulated medium temperature is within ±2°C in comparison to the temperature of the remaining part of the sensor, the instability increases to ±2°C.

Dimension drawing



Switch connection

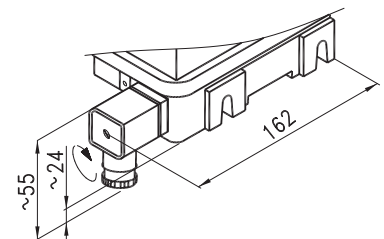


**Connector** - ordered with additional number **01** after ordering number limiters with switch A (custom made)  
 Height above regulator necessary for removing cover is approx 85 mm.

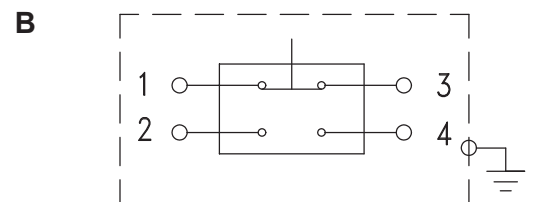
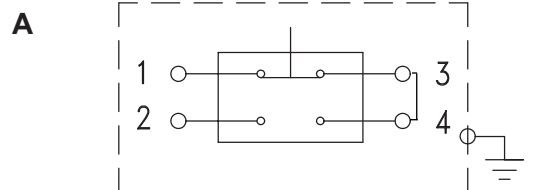
Ordering devices

Code	Name
405 61127	Max. temperature limiter capillary
Code	Design
6	T
Code	Switch type
0	A (custom made)
1	B
Code	Range
1	-40 to 0 °C
2	-25 to 15 °C
3	0 to 40 °C
4	30 to 90 °C
5	70 to 140 °C
6	110 to 180 °C
7	140 to 210 °C
Code	Capillary length
1	1,6 m
2	2,5 m
3	6,3 m
Code	Custom made
01	connector

Design with connector



Connecting switches (type A, B)



Switches 2-4 at increasing temperatures and disconnects 1-3

405 61127	6	1	3	1	-	Ordered No.
-----------	---	---	---	---	---	-------------

Warranty

24 months warranty is provided from the delivery date unless specified otherwise in the purchase contract.

**Order example:** max. temperature limiter capillary, design T, switch B, range 0-40°C, capillary 1,6m, without connector