

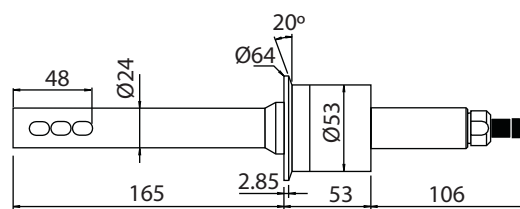
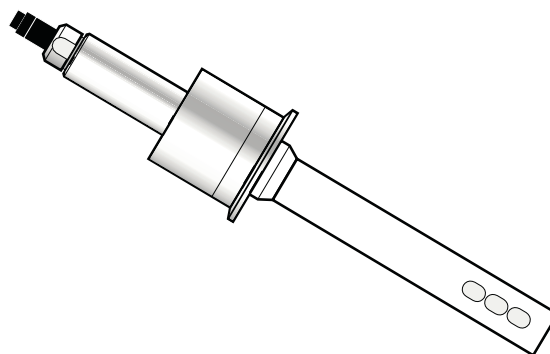
# Sensors for strong acids 4338 & 4339

4338 with tantalum electrodes, 4339 with platinum electrodes

4-electrode conductivity sensor with internal electrodes. Used with TCU series 3300.

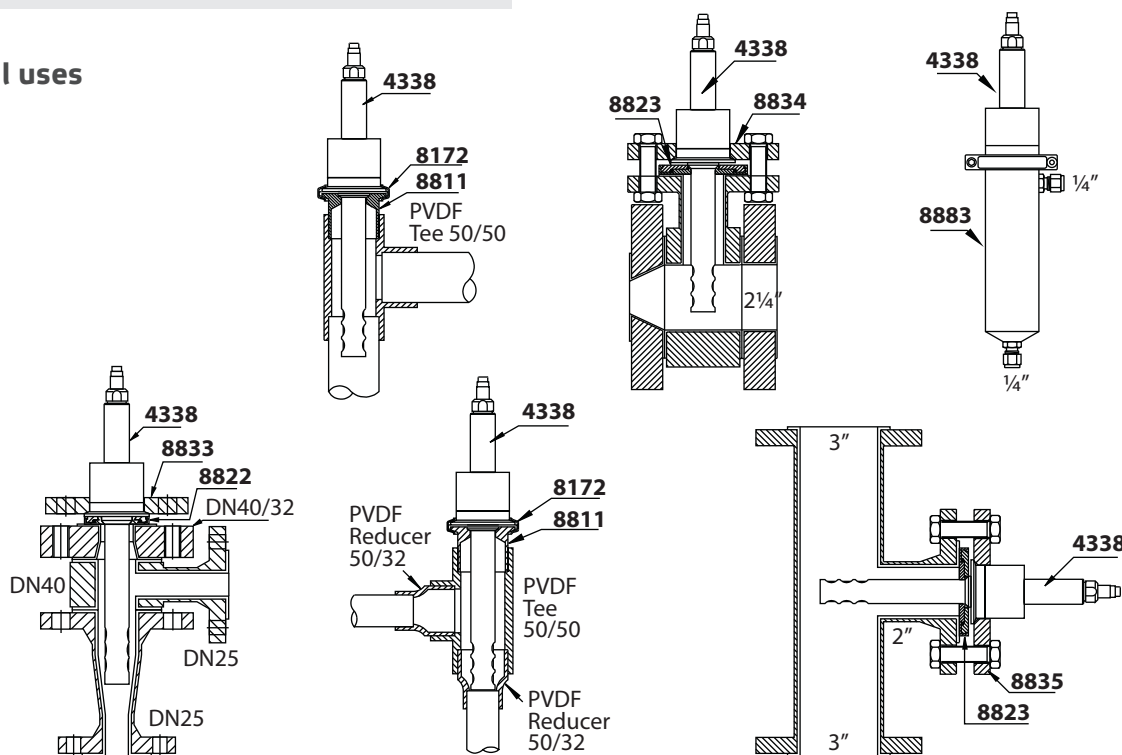
## Technical data

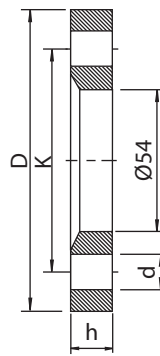
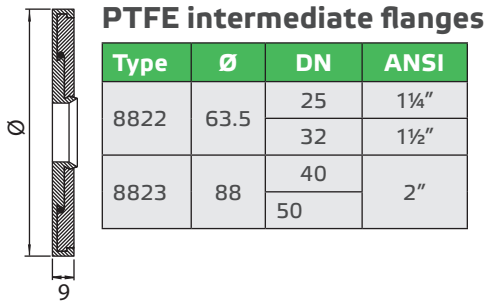
Materials	PTFE and W 1.4404 (AISI 316L)
Pressure	12 bar at 120 °C
Cell constant	1.0 ± 0.5% (electrically adjusted)
Reproduceability	± 1%
Linearity	5000 000 to 20 µS/cm ±1% per decade
Temp. sensor	Pt 1000 (IEC 751 class A)
Time delay	T <sub>90</sub> , 110 sec.
Protection	IP65 splash-proof (DIN 40 050)
Sensor cable	PVC 12 x 0.25 mm <sup>2</sup> screened standard length 5 m max. temp. 70 °C
Connection	11-pole strip connector with MF20 cable adapter
Weight	1.8 kg



dimensions in millimeters

## Typical uses

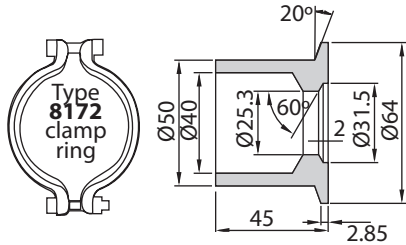




**DIN slip-on flanges**

Type	DN	D	K	h	d
8831	kt	90	75	14	10.5
8832	25	115	85	14	14
8833	32	140	100	16	18
8834	40	150	110	16	18
8835	50	165	125	16	18

**Type 8811 PVDF nipple  
Type 8812 PP, PVC or PEH nipple**



**ANSI slip-on flanges**

Class	Type	ANSI	D	K	h	d
300	8842	1¼"	133.3	98.4	17.4	19.0
	8843	1½"	155.6	114.3	20.6	22.2
	8844	2"	165.1	127.0	22.2	19.0
150	8846	1¼"	117.5	88.9	15.9	15.9
	8847	1½"	127.0	98.4	17.5	15.9
	8848	2"	152.4	120.6	19.0	19.0

**Mountings with service valves**

