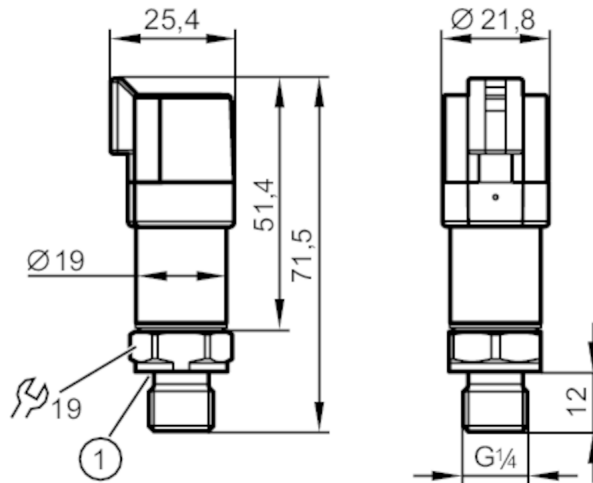


# PT5704



## Pressure transmitter

PT-010-SEG14-A-ZVG/DE



1 sealing



### Product characteristics

Number of inputs and outputs	Number of analog outputs: 1			
Measuring range	0...10 bar	0...145 psi	0...1000 kPa	0...1 MPa
Process connection	threaded connection G 1/4 external thread (DIN EN ISO 1179-2)			

### Application

Application	for mobile applications		
Media	liquids and gases		
Medium temperature [°C]	-40...125		
Min. bursting pressure	300 bar	4350 psi	30 MPa
Pressure rating	25 bar	360 psi	2.5 Mpa
Note on pressure rating	static		
Vacuum resistance [mbar]	-1000		
Type of pressure	relative pressure		

### Electrical data

Operating voltage [V]	8...32 DC
Min. insulation resistance [MΩ]	100; (500 V DC)
Protection class	III
Reverse polarity protection	yes
Power-on delay time [s]	< 0.1

### Inputs / outputs

Number of inputs and outputs	Number of analog outputs: 1
------------------------------	-----------------------------

# PT5704



## Pressure transmitter

PT-010-SEG14-A-ZVG/DE

Outputs				
Total number of outputs	1			
Output signal	analog signal			
Number of analog outputs	1			
Analog current output [mA]	4...20			
Max. load [ $\Omega$ ]	(U <sub>b</sub> - 8 V) / 21,5 mA; @8V = 0 $\Omega$ ; @12V max. 200 $\Omega$ ; @24V max. 750 $\Omega$			
Short-circuit proof	yes			
Overload protection	yes			
Measuring/setting range				
Measuring range	0...10 bar	0...145 psi	0...1000 kPa	0...1 MPa
Accuracy / deviations				
Repeatability [% of the span]	< $\pm$ 0,05; (with temperature fluctuations < 10 K)			
Characteristics deviation [% of the span]	< $\pm$ 0,8; (incl. drift when overtightened, zero point and span error, non-linearity, hysteresis)			
Linearity deviation [% of the span]	< $\pm$ 0,25 (BFSL) / < $\pm$ 0,5 (LS)			
Hysteresis deviation [% of the span]	< $\pm$ 0,2			
Long-term stability [% of the span]	< $\pm$ 0,1; (per 6 months)			
Temperature coefficient zero point [% of the span / 10 K]	< $\pm$ 0,1 (0...80 °C); < $\pm$ 0,2 (-40...0 °C / 80...125 °C)			
Temperature coefficient span [% of the span / 10 K]	< $\pm$ 0,1 (0...80 °C); < $\pm$ 0,2 (-40...0 °C / 80...125 °C)			
Reaction times				
Step response time analog output [ms]	2			
Operating conditions				
Ambient temperature [°C]	-40...100			
Storage temperature [°C]	-40...100			
Protection	IP 67; IP 69K			
Tests / approvals				
EMC	compliant with UN ECE R10, rev. 5	(E1 compliant)		
	ISO 11452-2	100 V/m		
	DIN EN 61326-1			
Shock resistance	DIN EN 60068-2-27	500 g (1 ms)		
Vibration resistance	DIN EN 60068-2-6	20 g (10...2000 Hz)		
MTTF [years]	700			
Pressure equipment directive	sound engineering practice; can be used for group 2 fluids; group 1 fluids on request			

# PT5704



## Pressure transmitter

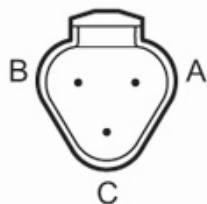
PT-010-SEG14-A-ZVG/DE

Mechanical data	
Weight [g]	61.5
Material	1.4542 (17-4 PH / 630); stainless steel (1.4404 / 316L); PPS
Materials (wetted parts)	1.4542 (17-4 PH / 630)
Min. pressure cycles	60 million; (at 1.2 times nominal pressure)
Tightening torque [Nm]	25...35; (recommended tightening torque; Depends on lubrication, seal and pressure rating)
Process connection	threaded connection G 1/4 external thread (DIN EN ISO 1179-2)
Process connection sealing	HNBR (DIN EN ISO 1179-2)
Restrictor element integrated	yes

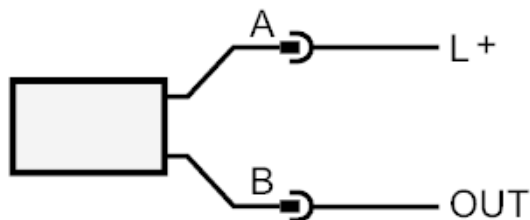
Remarks	
Remarks	BFSL = Best Fit Straight Line LS = limit value setting
Pack quantity	1 pcs.

### Electrical connection

Connector: 1 x DEUTSCH connector (DT04-3P)



### Connection



OUT analog output

# PT5704

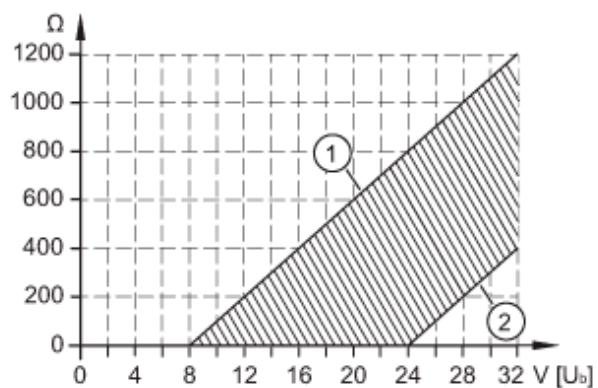


## Pressure transmitter

PT-010-SEG14-A-ZVG/DE

### Diagrams and graphs

Characteristic load curve current output



1: Max. load

2: Min. load