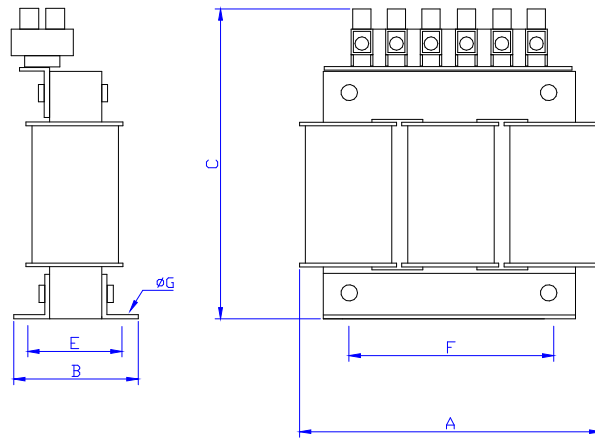


Technical information

INDUCTOR TYPE: Three-phase choke **3INP32/0.048mH**

		48787A
Inductance		0.048 mH.
Inductance tolerance		10 ±%
Peak current		45 A
Nominal current		32 Arms
Voltage		400 V
Max. Operating temperature		60 °C
Normative standards		CE, RoHs
Insulation class		B



Mitat millimetreinä / Dimensions in millimeters

Tyyppi / Type	A	B	C	E	F	G	m/kg
3INP32/0.048mH	100	78	110	49	64	M4	1,2

