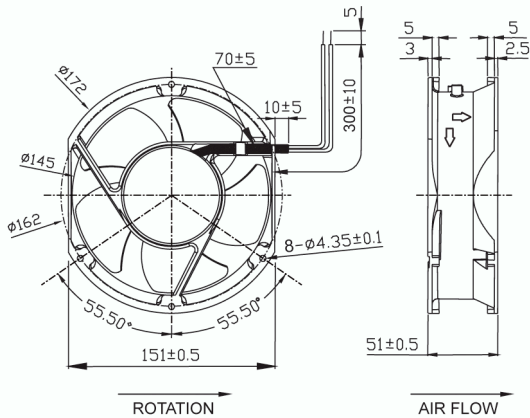
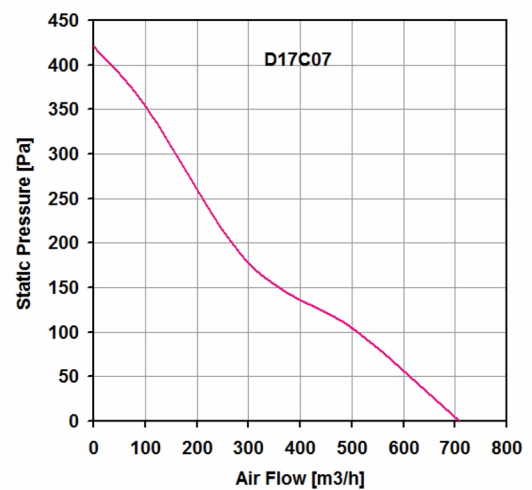
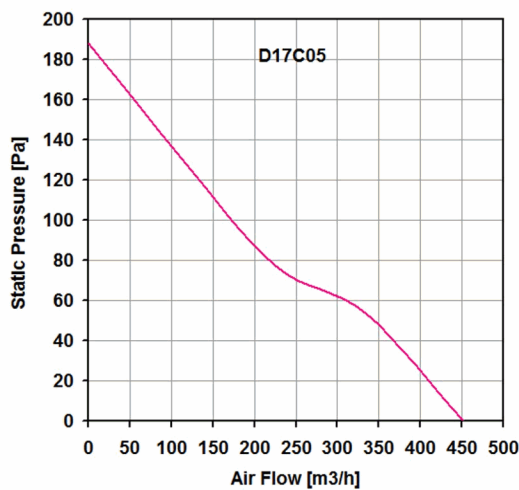


"D17CA" SERIES COSTECH FANS

Description: **Axial c.c. 172x150x51 mm**



Casing material: aluminum alloy
Impeller material: UL 94V-0 glass filled polyester (PBT)
Protection degree: IP20, according to EN 60529 standard
Fixing system: by No. 4 M4 screws
Motor protection: IC
Storage temperature: from -40°C to +70°C
Rated temperature range: from -10°C to +70°C (+60°C a 48 V)
Lifetime L10 at 40°C: 70,000 h
Electrical connection: 2 leads 22AWG UL 1061, 300 mm long.
Weight: 762g



Model	Voltage (V)	Rated Current (A)	Rated Power (W)	Max Air Flow** (m3/h)	Static Pressure (Pa)	Noise [db(A)]	RPM (rpm)	Approvals
D17C05HWBA00	24 V d.c.	1.0	24	450	187	58.8	3,500	CE; cURus
D17C07HWBA00	48 V d.c.	1.50	72	708	421	67.9	5,300	CE; cURus

All specifications, data and drawing are subject to change without notice and are approximate. Please refer to our terms of sales including our warranty and limited liabilities clause