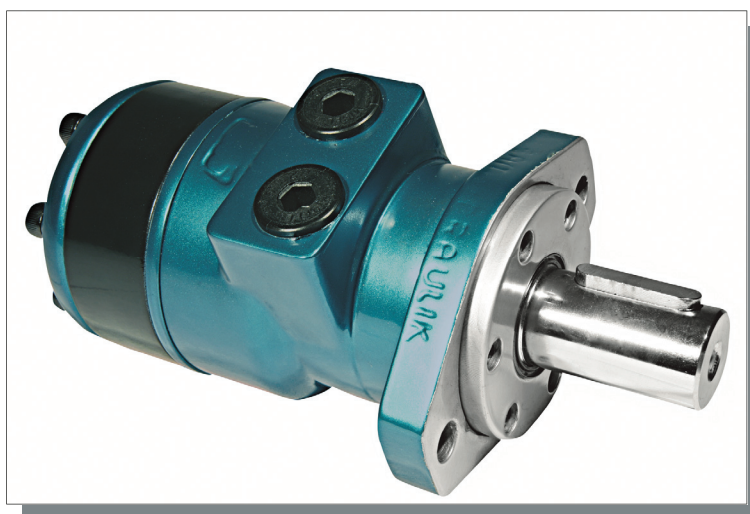


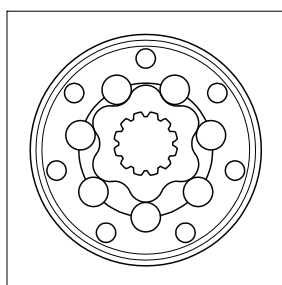
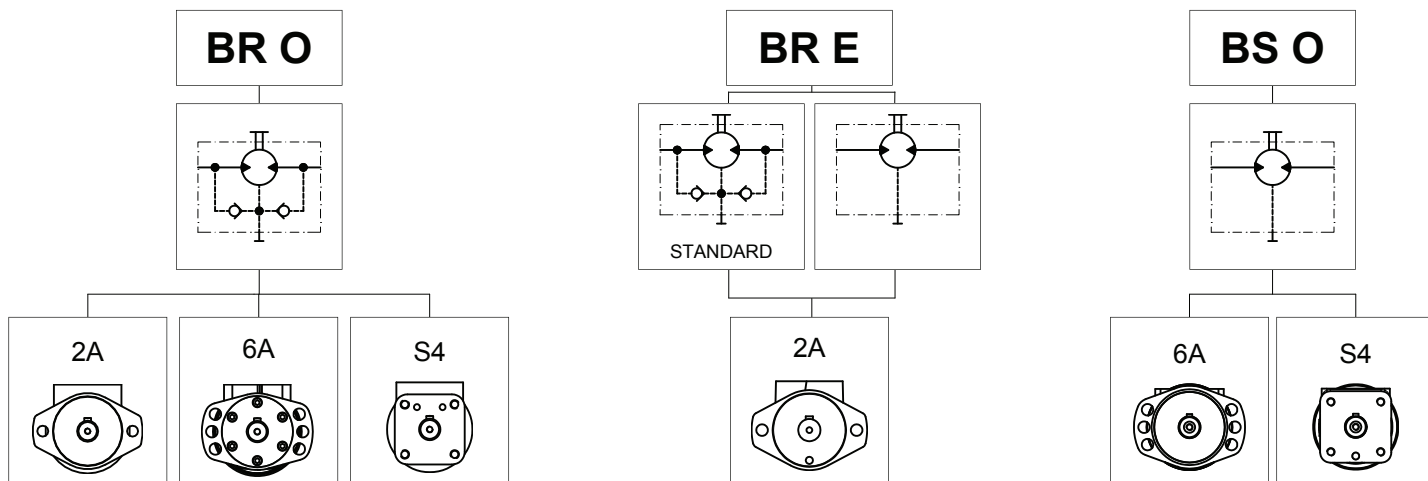
BR - BS



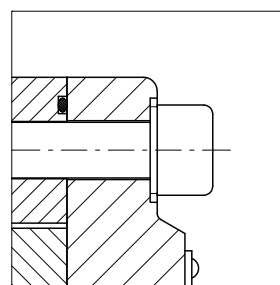
MOTORI ORBITALI

ORBITAL MOTORS

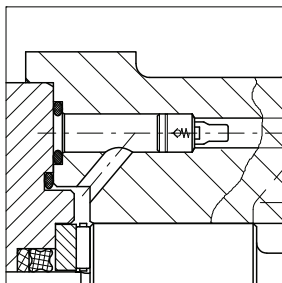
CARATTERISTICHE DEL MOTORE MOTOR FEATURES



*Roller ad alto rendimento per elevate prestazioni e durata.
High-performance roller for improved efficiency and life.*

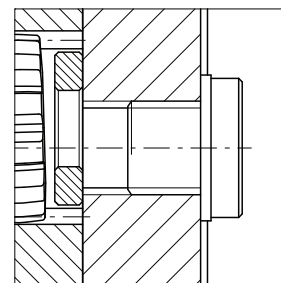


*Viti del coperchio posteriore in acciaio ad alta resistenza per sopportare gli sforzi indotti dall'alta pressione.
High resistance stainless steel screws capable of withstanding the stress induced by high pressure.*



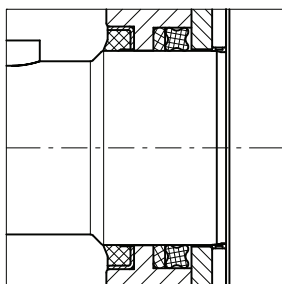
Valvole di drenaggio incorporate: ricircolano allo scarico il fluido drenato internamente.

Built in check valves: to relieve case pressure to the low pressure side of the motor.



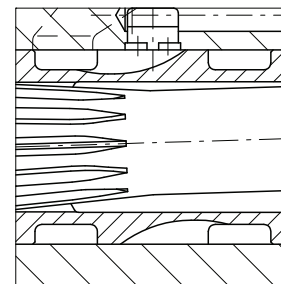
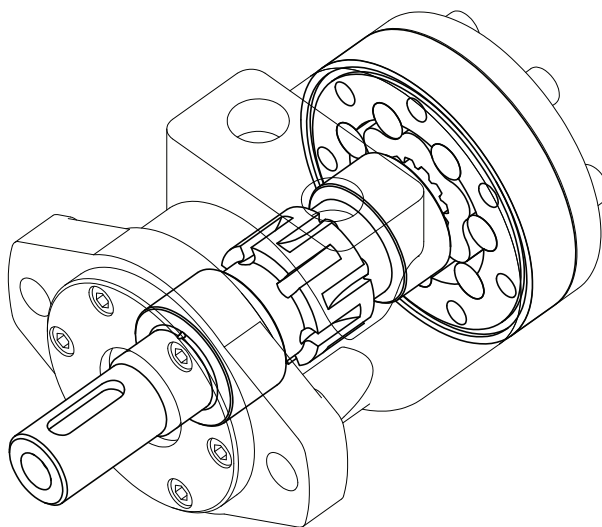
Foro drenaggio posteriore per un facile collegamento.

Case drain at rear (shown with plug).



Parapolvere per proteggere la guarnizione di tenuta dell'albero dalle impurità e guarnizione di tenuta ad alte prestazioni.

Dust seal to protect the high pressure shaft seal from dust and debris.



Valvola distributrice radiale ed albero in un solo pezzo con tolleranze ridotte al minimo per assicurare un drenaggio ridotto.

Spool valve integral to the output shaft of new design features optimizing clearance geometry and so minimizing the oil slippage.

DATI TECNICI PER MOTORE BR CON ALBERI CILINDRICI CL250 E LC254
BR MOTOR TECHNICAL DATA WITH CL250 AND LC254 PARALLEL KEYS SHAFT

Motore Motor	Cilindrata Displacement cm ³ /rev [in ³ /rev]	Pressione max ingresso Max. input pressure bar [psi]		Pressione diff. max. Max. differential pressure bar [psi]		Coppia max. Max. torque Nm [lbf-ft]		Portata max. Max. flow l/min [U.S. gpm]		Velocità max. Max. speed giri/min [rpm]		Potenza max. Max. power kW [hp]	
		Cont Int ⁽¹⁾ Peak ⁽²⁾	175 [2537] 200 [2900] 225 [3262]	Cont Int ⁽¹⁾ Peak ⁽²⁾	140 [2030] 175 [2540] 225 [3262]	Cont Int ⁽¹⁾	103 [75.9] 126 [92.8]	Cont Int ⁽¹⁾	40 [10.6] 50 [13.2]	Cont Int ⁽¹⁾	775 969	Cont Int ⁽¹⁾	6.8 [9.1] 8.4 [11.2]
BR 050	51.6 [3.14]	Cont Int ⁽¹⁾ Peak ⁽²⁾	175 [2537] 200 [2900] 225 [3262]	Cont Int ⁽¹⁾ Peak ⁽²⁾	140 [2030] 175 [2540] 225 [3262]	Cont Int ⁽¹⁾	103 [75.9] 126 [92.8]	Cont Int ⁽¹⁾	40 [10.6] 50 [13.2]	Cont Int ⁽¹⁾	775 969	Cont Int ⁽¹⁾	6.8 [9.1] 8.4 [11.2]
BR 065	64.9 [3.95]	Cont Int ⁽¹⁾ Peak ⁽²⁾	175 [2537] 200 [2900] 225 [3262]	Cont Int ⁽¹⁾ Peak ⁽²⁾	150 [2175] 185 [2682] 225 [3262]	Cont Int ⁽¹⁾	140 [103.1] 166 [122.3]	Cont Int ⁽¹⁾	50 [13.2] 60 [15.9]	Cont Int ⁽¹⁾	770 924	Cont Int ⁽¹⁾	9.2 [12.3] 10.6 [14.2]
BR 080	80.4 [4.9]	Cont Int ⁽¹⁾ Peak ⁽²⁾	175 [2537] 200 [2900] 225 [3262]	Cont Int* Peak ⁽²⁾	175 [2537] 200 [2900] 225 [3262]	Cont Int*	197 [145.1] 218 [160.6]	Cont Int ⁽¹⁾	60 [15.9] 75 [19.8]	Cont Int ⁽¹⁾	746 933	Cont Int ⁽¹⁾	13 [17.4] 15 [20.1]
BR 100	100 [6.1]	Cont Int ⁽¹⁾ Peak ⁽²⁾	175 [2537] 200 [2900] 225 [3262]	Cont Int ⁽¹⁾ Peak ⁽²⁾	175 [2537] 200 [2900] 225 [3262]	Cont Int ⁽¹⁾	237 [174.6] 277 [204.1]	Cont Int ⁽¹⁾	60 [15.9] 75 [19.8]	Cont Int ⁽¹⁾	600 750	Cont Int ⁽¹⁾	13 [17.4] 15 [20.1]
BR 130	125.7 [7.66]	Cont Int ⁽¹⁾ Peak ⁽²⁾	175 [2537] 200 [2900] 225 [3262]	Cont Int ⁽¹⁾ Peak ⁽²⁾	175 [2537] 200 [2900] 225 [3262]	Cont Int ⁽¹⁾	300 [221.1] 340 [250.5]	Cont Int ⁽¹⁾	60 [15.9] 75 [19.8]	Cont Int ⁽¹⁾	477 597	Cont Int ⁽¹⁾	12.5 [16.8] 14.5 [19.4]
BR 160	160 [9.76]	Cont Int ⁽¹⁾ Peak ⁽²⁾	175 [2537] 200 [2900] 225 [3262]	Cont Int ⁽¹⁾ Peak ⁽²⁾	140 [2030] 175 [2540] 225 [3262]	Cont Int ⁽¹⁾	296 [218.1] 375 [276.3]	Cont Int ⁽¹⁾	60 [15.9] 75 [19.8]	Cont Int ⁽¹⁾	375 469	Cont Int ⁽¹⁾	10 [13.4] 12.5 [16.8]
BR 200	200 [12.2]	Cont Int ⁽¹⁾ Peak ⁽²⁾	175 [2537] 200 [2900] 225 [3262]	Cont Int ⁽¹⁾ Peak ⁽²⁾	115 [1667] 140 [2030] 225 [3262]	Cont Int ⁽¹⁾	297 [218.8] 380 [280]	Cont Int ⁽¹⁾	60 [15.9] 75 [19.8]	Cont Int ⁽¹⁾	300 375	Cont Int ⁽¹⁾	8.5 [11] 10 [13.4]
BR 250	250 [15.2]	Cont Int ⁽¹⁾ Peak ⁽²⁾	175 [2537] 200 [2900] 225 [3262]	Cont Int ⁽¹⁾ Peak ⁽²⁾	90 [1305] 120 [1740] 225 [3262]	Cont Int ⁽¹⁾	297 [218.8] 377 [277.8]	Cont Int ⁽¹⁾	60 [15.9] 75 [19.8]	Cont Int ⁽¹⁾	240 300	Cont Int ⁽¹⁾	7.1 [9.5] 8.5 [11.1]
BR 315	314.5 [19.1]	Cont Int ⁽¹⁾ Peak ⁽²⁾	175 [2537] 200 [2900] 225 [3262]	Cont Int ⁽¹⁾ Peak ⁽²⁾	70 [1020] 100 [1450] 210 [3045]	Cont Int ⁽¹⁾	300 [221.1] 420 [309.5]	Cont Int ⁽¹⁾	60 [15.9] 75 [19.8]	Cont Int ⁽¹⁾	191 238	Cont Int ⁽¹⁾	5 [6.7] 6.6 [8.8]
BR 400	393 [23.9]	Cont Int ⁽¹⁾ Peak ⁽²⁾	175 [2537] 200 [2900] 225 [3262]	Cont Int ⁽¹⁾ Peak ⁽²⁾	55 [800] 85 [1230] 175 [2537]	Cont Int ⁽¹⁾	292 [215.2] 425 [313.2]	Cont Int ⁽¹⁾	60 [15.9] 75 [19.8]	Cont Int ⁽¹⁾	153 191	Cont Int ⁽¹⁾	4.1 [5.4] 6.1 [8.1]

DATI TECNICI PER MOTORE BR CON ALBERO SCANALATO SD250
BR MOTOR TECHNICAL DATA WITH SD250 SPLINED SHAFT

Motore Motor	Cilindrata Displacement cm ³ /rev [in ³ /rev]	Pressione max ingresso Max. input pressure bar [psi]		Pressione diff. max. Max. differential pressure bar [psi]		Coppia max. Max. torque Nm [lbf-ft]		Portata max. Max. flow l/min [U.S. gpm]		Velocità max. Max. speed giri/min [rpm]		Potenza max. Max. power kW [hp]	
		Cont Int ⁽¹⁾ Peak ⁽²⁾	175 [2537] 200 [2900] 225 [3262]	Cont Int ⁽¹⁾ Peak ⁽²⁾	140 [2030] 175 [2540] 225 [3262]	Cont Int ⁽¹⁾	103 [75.9] 126 [92.8]	Cont Int ⁽¹⁾	40 [10.6] 50 [13.2]	Cont Int ⁽¹⁾	775 969	Cont Int ⁽¹⁾	6.8 [9.1] 8.4 [11.2]
BR 050	51.6 [3.14]	Cont Int ⁽¹⁾ Peak ⁽²⁾	175 [2537] 200 [2900] 225 [3262]	Cont Int ⁽¹⁾ Peak ⁽²⁾	140 [2030] 175 [2540] 225 [3262]	Cont Int ⁽¹⁾	103 [75.9] 126 [92.8]	Cont Int ⁽¹⁾	40 [10.6] 50 [13.2]	Cont Int ⁽¹⁾	775 969	Cont Int ⁽¹⁾	6.8 [9.1] 8.4 [11.2]
BR 065	64.9 [3.95]	Cont Int ⁽¹⁾ Peak ⁽²⁾	175 [2537] 200 [2900] 225 [3262]	Cont Int ⁽¹⁾ Peak ⁽²⁾	150 [2175] 185 [2682] 225 [3262]	Cont Int ⁽¹⁾	140 [103.1] 166 [122.3]	Cont Int ⁽¹⁾	50 [13.2] 60 [15.9]	Cont Int ⁽¹⁾	770 924	Cont Int ⁽¹⁾	9.2 [12.3] 10.6 [14.2]
BR 080	80.4 [4.9]	Cont Int ⁽¹⁾ Peak ⁽²⁾	175 [2537] 200 [2900] 225 [3262]	Cont Int* Peak ⁽²⁾	175 [2537] 200 [2900] 225 [3262]	Cont Int*	197 [145.1] 218 [160.6]	Cont Int ⁽¹⁾	60 [15.9] 75 [19.8]	Cont Int ⁽¹⁾	746 933	Cont Int ⁽¹⁾	13 [17.4] 15 [20.1]
BR 100	100 [6.1]	Cont Int ⁽¹⁾ Peak ⁽²⁾	175 [2537] 200 [2900] 225 [3262]	Cont Int ⁽¹⁾ Peak ⁽²⁾	175 [2537] 200 [2900] 225 [3262]	Cont Int ⁽¹⁾	237 [174.6] 277 [204.1]	Cont Int ⁽¹⁾	60 [15.9] 75 [19.8]	Cont Int ⁽¹⁾	600 750	Cont Int ⁽¹⁾	13 [17.4] 15 [20.1]
BR 130	125.7 [7.66]	Cont Int ⁽¹⁾ Peak ⁽²⁾	175 [2537] 200 [2900] 225 [3262]	Cont Int ⁽¹⁾ Peak ⁽²⁾	175 [2537] 200 [2900] 225 [3262]	Cont Int ⁽¹⁾	300 [221.1] 340 [250.5]	Cont Int ⁽¹⁾	60 [15.9] 75 [19.8]	Cont Int ⁽¹⁾	477 597	Cont Int ⁽¹⁾	12.5 [16.8] 14.5 [19.4]
BR 160	160 [9.76]	Cont Int ⁽¹⁾ Peak ⁽²⁾	175 [2537] 200 [2900] 225 [3262]	Cont Int ⁽¹⁾ Peak ⁽²⁾	165 [2390] 200 [2900] 225 [3262]	Cont Int ⁽¹⁾	350 [257.9] 428 [315.4]	Cont Int ⁽¹⁾	60 [15.9] 75 [19.8]	Cont Int ⁽¹⁾	375 469	Cont Int ⁽¹⁾	11.8 [15.8] 14.3 [19.1]
BR 200	200 [12.2]	Cont Int ⁽¹⁾ Peak ⁽²⁾	175 [2537] 200 [2900] 225 [3262]	Cont Int ⁽¹⁾ Peak ⁽²⁾	130 [1890] 165 [2390] 225 [3262]	Cont Int ⁽¹⁾	335 [246.8] 446 [328.7]	Cont Int ⁽¹⁾	60 [15.9] 75 [19.8]	Cont Int ⁽¹⁾	300 375	Cont Int ⁽¹⁾	9.7 [12.9] 12 [16]
BR 250	250 [15.2]	Cont Int ⁽¹⁾ Peak ⁽²⁾	175 [2537] 200 [2900] 225 [3262]	Cont Int ⁽¹⁾ Peak ⁽²⁾	105 [1522] 135 [1957] 225 [3262]	Cont Int ⁽¹⁾	347 [255.7] 424 [312.4]	Cont Int ⁽¹⁾	60 [15.9] 75 [19.8]	Cont Int ⁽¹⁾	240 300	Cont Int ⁽¹⁾	8.3 [11.1] 9.6 [12.8]
BR 315	314.5 [19.1]	Cont Int ⁽¹⁾ Peak ⁽²⁾	175 [2537] 200 [2900] 225 [3262]	Cont Int ⁽¹⁾ Peak ⁽²⁾	85 [1232] 115 [1670] 210 [3045]	Cont Int ⁽¹⁾	362 [266.7] 484 [356.7]	Cont Int ⁽¹⁾	60 [15.9] 75 [19.8]	Cont Int ⁽¹⁾	191 238	Cont Int ⁽¹⁾	6 [8] 7.6 [10.1]
BR 400	393 [23.9]	Cont Int ⁽¹⁾ Peak ⁽²⁾	175 [2537] 200 [2900] 225 [3262]	Cont Int ⁽¹⁾ Peak ⁽²⁾	65 [942] 90 [1310] 175 [2537]	Cont Int ⁽¹⁾	345 [254.2] 450 [331.6]	Cont Int ⁽¹⁾	60 [15.9] 75 [19.8]	Cont Int ⁽¹⁾	153 191	Cont Int ⁽¹⁾	4.9 [6.5] 6.5 [8.7]

DATI TECNICI PER MOTORE BR CON ALBERI CILINDRICI CL320, C3175 E CONICO CN320
BR MOTOR TECHNICAL DATA WITH CL320, C3175 PARALLEL KEYED SHAFT AND CN320 TAPERED SHAFT

Motore Motor	Cilindrata Displacement cm ³ /rev [in ³ /rev]	Pressione max ingresso Max. input pressure bar [psi]		Pressione diff. max. Max. differential pressione bar [psi]		Coppia max. Max. torque Nm [lbf-ft]		Portata max. Max. flow l/min [U.S. gpm]		Velocità max. Max. speed giri/min [rpm]		Potenza max. Max. power kW [hp]	
		Cont Int ¹⁾ Peak ²⁾	175 [2537] 200 [2900] 225 [3262]	Cont Int ¹⁾ Peak ²⁾	140 [2030] 175 [2540] 225 [3262]	Cont Int ¹⁾	103 [75.9] 126 [92.8]	Cont Int ¹⁾	40 [10.6] 50 [13.2]	Cont Int ¹⁾	775 969	Cont Int ¹⁾	6.8 [9.1] 8.4 [11.2]
BR 050	51.6 [3.14]	Cont Int ¹⁾ Peak ²⁾	175 [2537] 200 [2900] 225 [3262]	Cont Int ¹⁾ Peak ²⁾	140 [2030] 175 [2540] 225 [3262]	Cont Int ¹⁾	103 [75.9] 126 [92.8]	Cont Int ¹⁾	40 [10.6] 50 [13.2]	Cont Int ¹⁾	775 969	Cont Int ¹⁾	6.8 [9.1] 8.4 [11.2]
BR 065	64.9 [3.95]	Cont Int ¹⁾ Peak ²⁾	175 [2537] 200 [2900] 225 [3262]	Cont Int ¹⁾ Peak ²⁾	150 [2175] 185 [2682] 225 [3262]	Cont Int ¹⁾	140 [103.1] 166 [122.3]	Cont Int ¹⁾	50 [13.2] 60 [15.9]	Cont Int ¹⁾	770 924	Cont Int ¹⁾	9.2 [12.3] 10.6 [14.2]
BR 080	80.4 [4.9]	Cont Int ¹⁾ Peak ²⁾	175 [2537] 200 [2900] 225 [3262]	Cont Int* Peak ²⁾	175 [2537] 200 [2900] 225 [3262]	Cont Int*	197 [145.1] 218 [160.6]	Cont Int ¹⁾	60 [15.9] 75 [19.8]	Cont Int ¹⁾	746 933	Cont Int ¹⁾	13 [17.4] 15 [20.1]
BR 100	100 [6.1]	Cont Int ¹⁾ Peak ²⁾	175 [2537] 200 [2900] 225 [3262]	Cont Int ¹⁾ Peak ²⁾	175 [2537] 200 [2900] 225 [3262]	Cont Int ¹⁾	237 [174.6] 277 [204.1]	Cont Int ¹⁾	60 [15.9] 75 [19.8]	Cont Int ¹⁾	600 750	Cont Int ¹⁾	13 [17.4] 15 [20.1]
BR 130	125.7 [7.66]	Cont Int ¹⁾ Peak ²⁾	175 [2537] 200 [2900] 225 [3262]	Cont Int ¹⁾ Peak ²⁾	175 [2537] 200 [2900] 225 [3262]	Cont Int ¹⁾	300 [221.1] 340 [250.5]	Cont Int ¹⁾	60 [15.9] 75 [19.8]	Cont Int ¹⁾	477 597	Cont Int ¹⁾	12.5 [16.8] 14.5 [19.4]
BR 160	160 [9.76]	Cont Int ¹⁾ Peak ²⁾	175 [2537] 200 [2900] 225 [3262]	Cont Int ¹⁾ Peak ²⁾	175 [2537] 200 [2900] 225 [3262]	Cont Int ¹⁾	370 [272.6] 428 [315.4]	Cont Int ¹⁾	60 [15.9] 75 [19.8]	Cont Int ¹⁾	375 469	Cont Int ¹⁾	12.5 [16.8] 14.3 [19.1]
BR 200	200 [12.2]	Cont Int ¹⁾ Peak ²⁾	175 [2537] 200 [2900] 225 [3262]	Cont Int ¹⁾ Peak ²⁾	175 [2537] 200 [2900] 225 [3262]	Cont Int ¹⁾	450 [331.6] 540 [397.9]	Cont Int ¹⁾	60 [15.9] 75 [19.8]	Cont Int ¹⁾	300 375	Cont Int ¹⁾	13.4 [17.9] 14.4 [19.2]
BR 250	250 [15.2]	Cont Int ¹⁾ Peak ²⁾	175 [2537] 200 [2900] 225 [3262]	Cont Int ¹⁾ Peak ²⁾	175 [2537] 200 [2900] 225 [3262]	Cont Int ¹⁾	578 [425.9] 630 [464.3]	Cont Int ¹⁾	60 [15.9] 75 [19.8]	Cont Int ¹⁾	240 300	Cont Int ¹⁾	13.8 [18.4] 14.2 [19]
BR 315	314.5 [19.1]	Cont Int ¹⁾ Peak ²⁾	175 [2537] 200 [2900] 225 [3262]	Cont Int ¹⁾ Peak ²⁾	135 [1960] 175 [2537] 210 [3045]	Cont Int ¹⁾	575 [423.7] 736 [542.4]	Cont Int ¹⁾	60 [15.9] 75 [19.8]	Cont Int ¹⁾	191 238	Cont Int ¹⁾	9.6 [12.8] 11.5 [15.4]
BR 400	393 [23.9]	Cont Int ¹⁾ Peak ²⁾	175 [2537] 200 [2900] 225 [3262]	Cont Int ¹⁾ Peak ²⁾	115 [1670] 150 [2180] 175 [2537]	Cont Int ¹⁾	612 [451] 750 [552.7]	Cont Int ¹⁾	60 [15.9] 75 [19.8]	Cont Int ¹⁾	153 191	Cont Int ¹⁾	8.6 [11.5] 10.8 [14.4]

Motore Motor	Max press. di scarico con drenaggio aperto Max back pressure with drain line bar[psi]		Pressione max avviamento a vuoto Max starting pressure in unloaded conditions bar[psi]		Coppia min di spunto Min starting torque Nm[lbf-ft]		Portata di drenaggio ⁴⁾ Oil flow in the drain line ⁴⁾ l/min [U.S. gpm]		Velocità minima ⁵⁾ Min speed ⁵⁾ rpm	
	Cont Int ¹⁾ Peak ²⁾	175 [2538] 200 [2900] 225 [3263]	10 [145]	at Δp max at Δp max	Cont Int*	75[55.3] 95[70.0]	at Δp=100bar[1450psi] at Δp=140bar[2030psi]	0.7[0.2] 1.6[0.4]	10	
BR 050	Cont Int ¹⁾ Peak ²⁾	175 [2538] 200 [2900] 225 [3263]	10 [145]	at Δp max at Δp max	Cont Int*	75[55.3] 95[70.0]	at Δp=100bar[1450psi] at Δp=140bar[2030psi]	0.7[0.2] 1.6[0.4]	10	
BR 065	Cont Int ¹⁾ Peak ²⁾	175 [2538] 200 [2900] 225 [3263]	10 [145]	at Δp max at Δp max	Cont Int*	120[88.4] 140[103.1]	at Δp=100bar[1450psi] at Δp=140bar[2030psi]	0.7[0.2] 1.6[0.4]	10	
BR 080	Cont Int ¹⁾ Peak ²⁾	175 [2538] 200 [2900] 225 [3263]	10 [145]	at Δp max at Δp max	Cont Int*	160[118] 180[133]	at Δp=100bar[1450psi] at Δp=140bar[2030psi]	0.7[0.2] 1.6[0.4]	10	
BR 100	Cont Int ¹⁾ Peak ²⁾	175 [2538] 200 [2900] 225 [3263]	10 [145]	at Δp max at Δp max	Cont Int*	200[147] 225[166]	at Δp=100bar[1450psi] at Δp=140bar[2030psi]	0.7[0.2] 1.6[0.4]	10	
BR 130	Cont Int ¹⁾ Peak ²⁾	175 [2538] 200 [2900] 225 [3263]	9 [131]	at Δp max at Δp max	Cont Int*	255[188] 290[214]	at Δp=100bar[1450psi] at Δp=140bar[2030psi]	0.7[0.2] 1.6[0.4]	10	
BR 160	Cont Int ¹⁾ Peak ²⁾	175 [2538] 200 [2900] 225 [3263]	7 [102]	at Δp max at Δp max	Cont Int*	310(250)[228(184)] ³⁾ 360(300)[265(221)] ³⁾	at Δp=100bar[1450psi] at Δp=140bar[2030psi]	0.7[0.2] 1.6[0.4]	10	
BR 200	Cont Int ¹⁾ Peak ²⁾	175 [2538] 200 [2900] 225 [3263]	5 [72.5]	at Δp max at Δp max	Cont Int*	390(250)[287(184)] ³⁾ 450(320)[332(236)] ³⁾	at Δp=100bar[1450psi] at Δp=140bar[2030psi]	1.5[0.4] 3.0[0.8]	10	
BR 250	Cont Int ¹⁾ Peak ²⁾	175 [2538] 200 [2900] 225 [3263]	5 [72.5]	at Δp max at Δp max	Cont Int*	490(250)[361(184)] ³⁾ 560(310)[413(228)] ³⁾	at Δp=100bar[1450psi] at Δp=140bar[2030psi]	1.5[0.4] 3.0[0.8]	10	
BR 315	Cont Int ¹⁾ Peak ²⁾	175 [2538] 200 [2900] 225 [3263]	5 [72.5]	at Δp max at Δp max	Cont Int*	470(250)[346(184)] ³⁾ 610(300)[450(221)] ³⁾	at Δp=100bar[1450psi] at Δp=140bar[2030psi]	1.5[0.4] 3.0[0.8]	10	
BR 400	Cont Int ¹⁾ Peak ²⁾	175 [2538] 200 [2900] 225 [3263]	5 [72.5]	at Δp max at Δp max	Cont Int*	510(250)[376(184)] ³⁾ 670(320)[494(236)] ³⁾	at Δp=100bar[1450psi] at Δp=140bar[2030psi]	1.5[0.4] 3.0[0.8]	10	

1) Le condizioni intermittenti non devono durare più del 10% ogni minuto. - Intermittent duty must not exceed 10% each minute. 2) Le condizioni di picco non devono durare più del 1% di ogni minuto. - Peak duty must not exceed 1% each minute. 3) I valori tra parentesi si riferiscono alla versione con albero CL250/LC254/SD250. - The values in brackets are referred to CL250/LC254/SD250 shaft. 4) Viscosità dell'olio 37 cSt. - Oil Viscosity 37 cSt. 5) Per impieghi a velocità inferiori o con carichi radiali consultare la S.A.M. Hydraulik for applications at lower rpm or at high radial loads pls. consult S.A.M. Hydraulik.

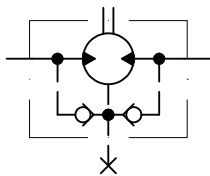
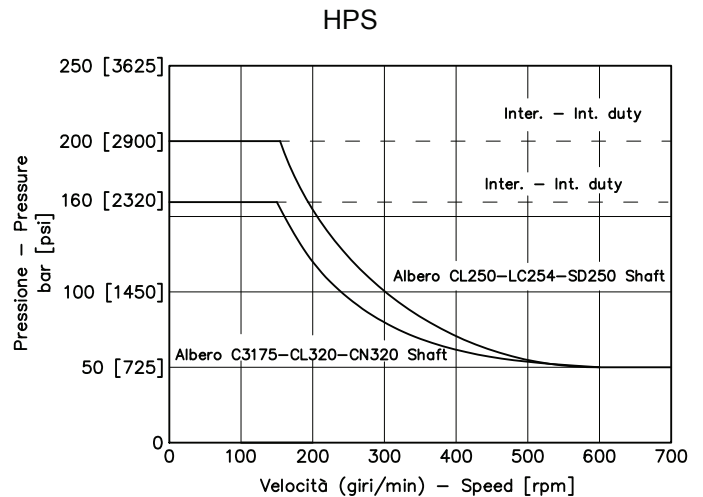
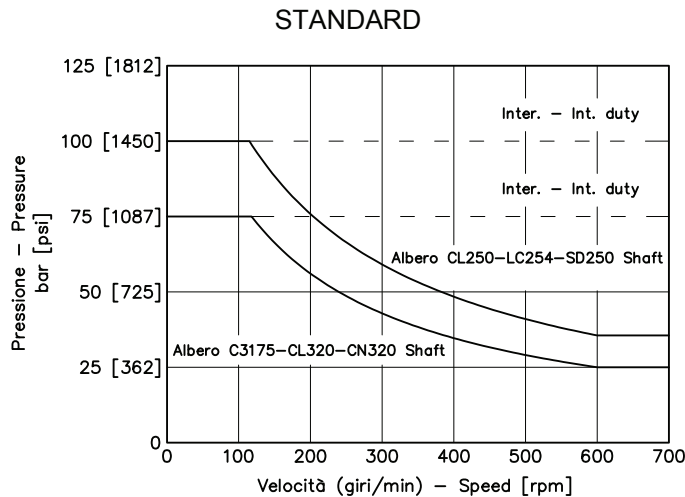
MASSIMA PRESSIONE AMMESSA SULLA GUARNIZIONE ALBERO MAX PERMISSIBLE SHAFT SEAL PRESSURE

Pressione massima di scarico senza drenaggio o massima pressione nella linea di drenaggio. I motori sono forniti nella versione con guarnizioni standard (diagramma Standard) o nella versione con guarnizioni ad alta pressione (diagramma HPS). Per condizioni di pressione e velocità non contemplate dal presente grafico si consiglia di contattare la S.A.M. Hydraulik.

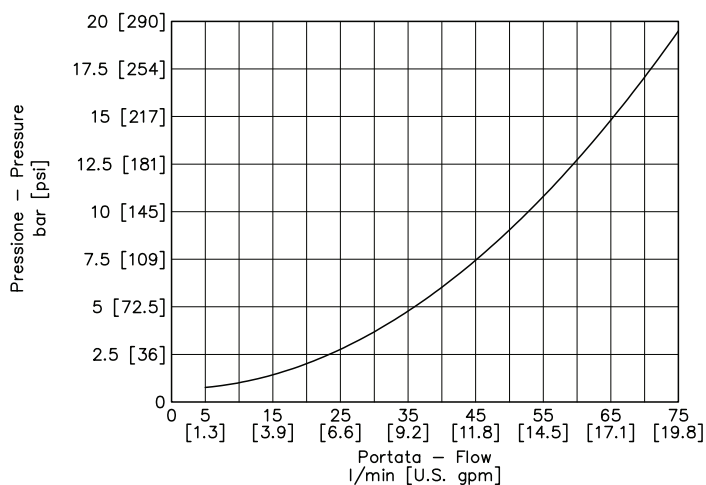
N.B.: Sulle versioni con Tachimetro o Freno non è possibile installare guarnizioni HPS.

Max. return pressure without drain line or max. pressure in the drain line. Motor are supplied in standard seal version (Standard chart) or in HPS seal version (HPS chart). For pressure and speeds not showed in the curve below, please contact S.A.M. Hydraulik.

N.B.: Tachometer or Brake versions is not available with HPS seals.



PERDITE DI CARICO PER ATTRAVERSAMENTO PRESSURE LOSS



Il diagramma è stato ottenuto con prove eseguite su un numero significativo di motori, utilizzando un olio avente una viscosità cinematica di 37 cSt alla temperatura di 45° C.

Curve according tests carried out with a relevant number of motors and using hydraulic oil with cinematic viscosity of 37 cSt at 45° C temperature.

CODICI DI ORDINAZIONE ORDERING CODES

Le seguenti lettere o numeri del codice, sono state sviluppate per identificare tutte le configurazioni possibili dei motori BR. Usare il seguente modulo per identificare le caratteristiche desiderate. **Tutte le lettere o numeri del codice devono comparire in fase d'ordine.** Si consiglia di leggere attentamente il catalogo prima di iniziare la compilazione del codice di ordinazione.

The following alphanumeric digits system has been developed to identify all of the configuration options for the BR motors. Use the model code below to specify the desired features. **All alphanumeric digits system of the code must be present when ordering.** We recommend to carefully read the catalogue before filling the ordering code.

CODICE PRODOTTO / MODEL CODE

1	2	3	4	5	6	7	8	8A	9	10

1 - SERIE / SERIES

BR	Motore orbitale Orbital motor
----	----------------------------------

2 - VERSIONI / VERSIONS

E	Versione E E Version	
O	Versione O O Version	STANDARD

3 - CILINDRATA / DISPLACEMENT

050	51.6 cm ³ /giro [3.14 in ³ /rev]
065	64.9 cm ³ /giro [3.95 in ³ /rev]
080	80.4 cm ³ /giro [4.9 in ³ /rev]
100	100 cm ³ /giro [6.1 in ³ /rev]
130	125.7 cm ³ /giro [7.66 in ³ /rev]
160	160 cm ³ /giro [9.76 in ³ /rev]
200	200 cm ³ /giro [12.2 in ³ /rev]
250	250 cm ³ /giro [15.2 in ³ /rev]
315	314.5 cm ³ /giro [19.1 in ³ /rev]
400	393 cm ³ /giro [23.9 in ³ /rev]

4 - FLANGIA / MOUNTING FLANGE

			VERSIONI / VERSIONS	
			E	O
2A	Ovale 2 Fori Oval 2 Bolts	STANDARD	•	•
6A	Ovale 6 Fori Oval 6 Bolts		/	•
S4	4 fori 3/8 16 UNC - Ø44,45mm 4 Bolt 3/8 16 UNC - Ø1.75 in	Speciale a richiesta Special on request	/	•

• Disponibile - Available / Non Disponibile - Not Available

1	2	3	4	5	6	7	8	8A	9	10

5 - ATTACCHI / MAIN PORTS

			VERSIONI / VERSIONS	
			E	O
M08	Attacchi 1/2 G BSPP (40x8) 1/2 G BSPP (40x8) Main Ports	STANDARD	/	•
R08	Attacchi 1/2 G BSPP (36x36) 1/2 G BSPP (36x36) Main Ports		•	/

• Disponibile - Available / Non Disponibile - Not Available

6 - ESTREMITÀ ALBERO / OUTPUT SHAFT

			VERSIONI / VERSIONS			
			E		O	
			FLANGIA FLANGE		FLANGIA FLANGE	
			2A	2A	6A	S4
CL250	Albero Cilindrico Ø25 mm 0.984 in Parallel keyed	STANDARD	•	•	•	•
LC254	Albero Cilindrico Ø25.4 mm 1 in Parallel keyed		•	•	•	•
C3175	Albero Cilindrico Ø31.75 mm 1.25 in Parallel keyed		/	/	•	/
CL320	Albero Cilindrico Ø32 mm 1.259 in Parallel keyed		/	/	•	/
CN320	Albero Conico Tapered Shaft	Speciale a richiesta Special on request	/	/	•	/
SD250	Albero Scanalato (profilo SAE 6B 1" Z6) Splined Shaft (SAE 6B 1" 6T spline)		•	•	•	•

• Disponibile - Available / Non Disponibile - Not Available

7 - TENUTE / SEALS

N	NBR	STANDARD
V	FKM	

8 - VALVOLE / VALVES

			ATTACCHI / MAIN PORTS	
			M08	R08
XXXX	Non Richieste Not Required	STANDARD	•	•
M081	Valvola di massima pressione VAF 08 - D VAF 08 - D pressure relief valve		•	/
M082	Valvola di massima pressione VAF 08 - D/AF VAF 08 - D/AF pressure relief valve		•	/
M083	Valvola Antiurto e Anticavitazione VAAF 31 VAAF 31 anticavitation and Anti-Shock Valve		•	/
M084	Valvola con prelievo del fluido in pressione AF AF shuttle-valve		•	/
M085	Valvola bilanciata di blocco e controllo discesa VCD 08 - S/AF VCD 08 - S/AF overcentre Valve		•	/
M086	Valvola di controllo bilanciata a doppio effetto VCR1 08 - D/AF VCR1 08 - D/AF double-acting overcentre valve with shuttle valve		•	/
M087	Valvola di controllo bilanciata a doppio effetto con valvola limitatrice di pressione VCR1 08 D/AF LDP VCR1 08 D/AF LDP double-acting overcentre valve with shuttle valve		•	/
R081 ⁽¹⁾	Valvola di massima pressione VAF E8 - D VAF E8 - D pressure relief valve		/	•
R082 ⁽¹⁾	Valvola bilanciata di blocco e controllo discesa VCD E8 - S/AF VCD E8 - S/AF overcentre Valve		/	•
R083 ⁽¹⁾	Valvola di controllo bilanciata a doppio effetto VCR1 E8 - D/AF VCR1 E8 - D/AF double-acting overcentre valve with shuttle valve		/	•
R084 ⁽¹⁾	Valvola di controllo bilanciata a doppio effetto con valvola limitatrice di pressione VCR1 E8 D/AF LDP VCR1 E8 D/AF LDP double-acting overcentre valve with shuttle valve		/	•

• Disponibile - Available / Non Disponibile - Not Available

(1) Attenzione: quantità minima per ordine 20 pezzi
(1) Warning: minimum quantity for order 20 pieces

1	2	3	4	5	6	7	8	8A	9	10

8A - CARATTERISTICA VALVOLA / VALVES FEATURE

			VALVOLE / VALVES											
			XXXX	M081	M082	M083	M084	M085	M086	M087	R081	R082	R083	R084
000	Caratteristica non necessaria Feature not necessary	STANDARD	●	/	/	/	●	/	/	/	/	/	/	/
001	Non Tarata (Campo Taratura 30÷70 bar) Not Set [435 to 1015 psi]		/	●	●	/	/	/	/	/	/	/	/	/
002	Non Tarata (Campo Taratura 70÷200 bar) Not Set [1015 to 2900 psi]		/	●	●	/	/	/	/	/	/	/	/	/
003	Non Tarata (Campo Taratura 50÷130 bar) Not Set [725 to 1885 psi]		/	/	/	●	/	/	/	/	●	/	/	/
004	Non Tarata (Campo Taratura 100÷250 bar) Not Set [1450 to 3625 psi]		/	/	/	●	/	/	/	/	/	/	/	/
007	Non Tarata (Campo Taratura 100÷200 bar) Not Set [1450 to 2900 psi]		/	/	/	/	/	/	/	/	●	/	/	/
425	Rapporto di Pilotaggio 4.25:1 Pilot Ratio 4.25:1		/	/	/	/	/	/	●	●	/	/	●	●
800	Rapporto di Pilotaggio 8:1 Pilot Ratio 8:1		/	/	/	/	/	/	●	●	/	/	/	/
70D	Rapporto di Pilotaggio 7:1 - Senso di rotazione DX Pilot Ratio 7:1 - Direction of rotation CW		/	/	/	/	/	●	/	/	/	/	/	/
35D	Rapporto di Pilotaggio 3.5:1 - Senso di rotazione DX Pilot Ratio 3.5:1 - Direction of rotation CW		/	/	/	/	/	●	/	/	/	●	/	/
70S	Rapporto di Pilotaggio 7:1 - Senso di rotazione SX Pilot Ratio 7:1 - Direction of rotation CCW		/	/	/	/	/	●	/	/	/	/	/	/
35S	Rapporto di Pilotaggio 3.5:1 - Senso di rotazione SX Pilot Ratio 3.5:1 - Direction of rotation CCW		/	/	/	/	/	●	/	/	/	●	/	/

● Disponibile - Available / Non Disponibile - Not Available

Per la fornitura di valvole tarate contattare Uff.Tecnico.
Please contact Technical department for valve which require specific setting

9 - CARATTERISTICA VERSIONE / VERSION FEATURE

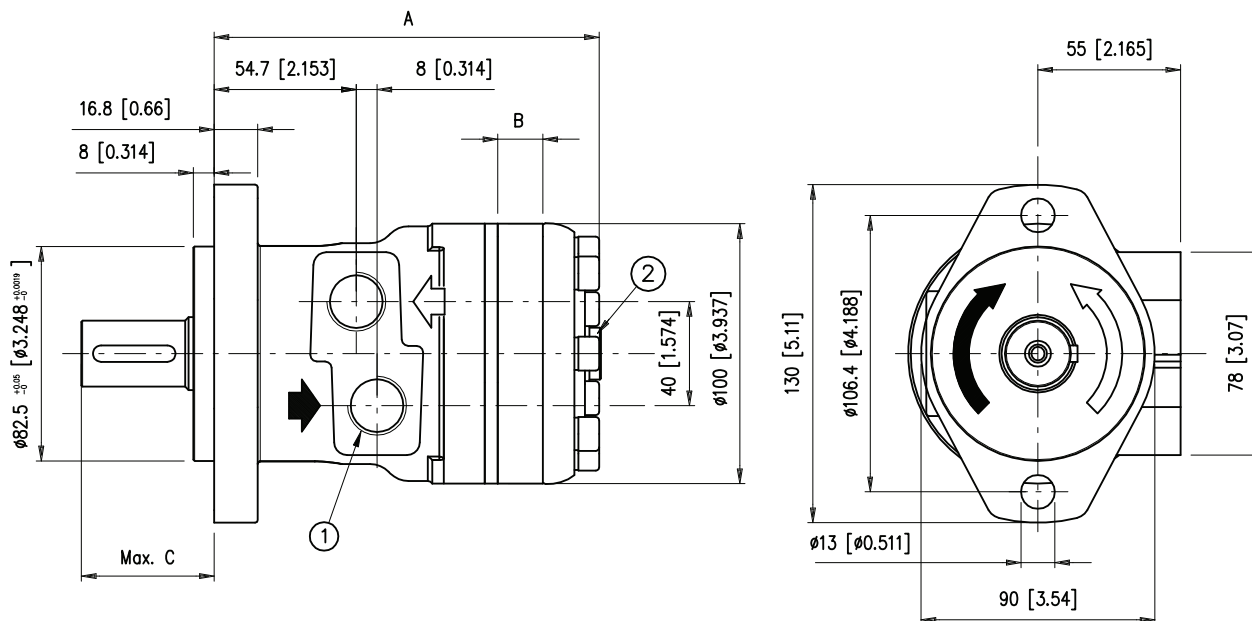
			VERSIONI / VERSIONS	
			E	O
XXX	Versione base + Drenaggio posteriore - 1/4 G (BSPP) Standard version + Rear Drain - 1/4 G (BSPP)	STANDARD	●	●
HPS	Guarnizione alta pressione (senza Drenaggio posteriore) High Pressure Seal (without Rear Drain)		●	●
TC1	Tachimetro TAC/U (con predisposizione per sensore) TAC/U tachometer (with sensor arrangement)		/	●
TC4	Tachimetro TAC/M TAC/M tachometer		/	●
TC5	Tachimetro TAC/M-E (con predisposizione per sensore) TAC/M-E tachometer (with sensor arrangement)		/	●
SV0	Versione senza valvole di drenaggio interne + Drenaggio posteriore - 1/4 G (BSPP) Version without built-in check valves + Rear Drain - 1/4 G (BSPP)		●	/
SVH	Versione senza valvole di drenaggio interne + Guarnizione alta pressione (senza Drenaggio posteriore) Version without built-in check valves + High Pressure Seal (without Rear Drain)		●	/
SVA	Versione senza valvole di drenaggio interne + Guarnizione alta pressione + Drenaggio posteriore - 1/4 G (BSPP) Version without built-in check valves + High Pressure Seal + Rear Drain - 1/4 G (BSPP)		●	/
FP0	Freno FP FP Brake		/	●
DPH	Guarnizione alta pressione + Drenaggio posteriore - 1/4 G (BSPP) High Pressure Seal + Rear Drain - 1/4 G (BSPP)		●	●

● Disponibile - Available / Non Disponibile - Not Available

10 - OPZIONI / OPTIONS

XX	Non verniciato Not painted	STANDARD
01	Verniciato RAL 9005 Painted RAL 9005	
02	Verniciato RAL 5015 Painted RAL 5015	
05	Verniciato RAL 7016 Painted RAL 7016	
06	Verniciato RAL 7015 Painted RAL 7015	

Flangia 2A Flange
Attacchi M08 Main ports



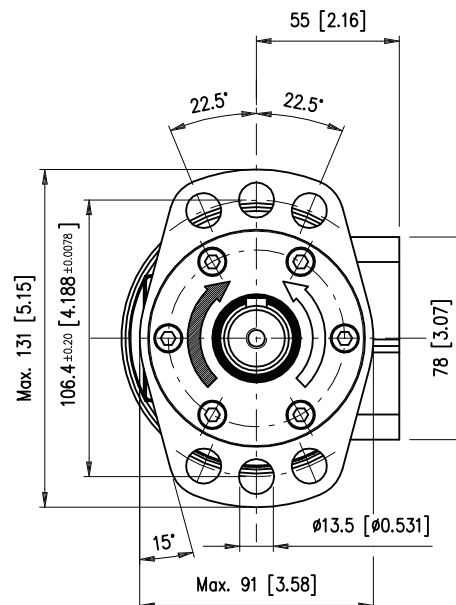
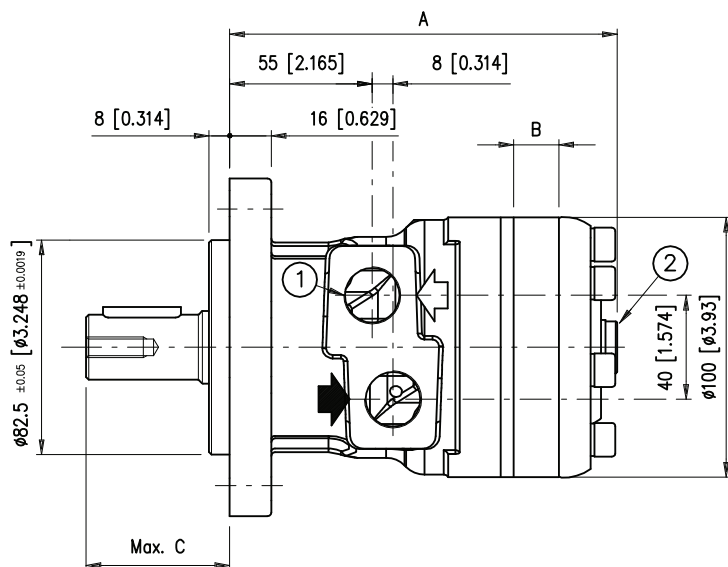
- 1) N° 2 fori di alimentazione 1/2 G (BSPP) profondità filetto 18 mm
No. 2 1/2 G (BSPP) main ports thread depth 0.70 in
- 2) Drenaggio motore 1/4 G (BSPP) profondità filetto 15 mm Max. Non presente nella versione HPS
1/4 G (BSPP) drain motor thread depth 0.59 in Max. Not in HPS version.

Per le dimensioni degli alberi vedere pagina E/16
For shafts dimensions see page E/16

ALBERO SHAFT		CL250	LC254	SD250						
C	mm [in]	54 [2.12]	54 [2.12]	54 [2.12]						

		BR O 050	BR O 065	BR O 080	BR O 100	BR O 130	BR O 160	BR O 200	BR O 250	BR O 315	BR O 400
A	mm [in]	139.5 [5.49]	141.8 [5.58]	144.5 [5.68]	147.7 [5.81]	152.1 [5.98]	158.2 [6.22]	165.3 [6.50]	173.9 [6.84]	185.1 [7.28]	198.4 [7.81]
B	mm [in]	9 [0.354]	11.3 [0.444]	14 [0.551]	17.4 [0.68]	21.8 [0.85]	27.8 [1.09]	34.8 [1.37]	43.5 [1.71]	54.8 [2.15]	68.38 [2.69]
Pesi Weight	kg [lb]	7.2 [15.8]	7.4 [16.3]	7.5 [16.5]	7.7 [16.9]	8 [17.6]	8.3 [18.2]	8.6 [18.9]	9.1 [20]	9.8 [21.5]	10.1 [22.2]

Flangia 6A Flange
Attacchi M08 Main ports



- 1) N° 2 fori di alimentazione 1/2 G (BSPP) profondità filetto 18 mm
No. 2 1/2 G (BSPP) main ports thread depth 0.70 in
- 2) Drenaggio motore 1/4 G (BSPP) profondità filetto 15 mm.
1/4 G (BSPP) drain motor thread depth 0.59 in.

Per le dimensioni degli alberi vedere pagina E/16
For shafts dimensions see page E/16

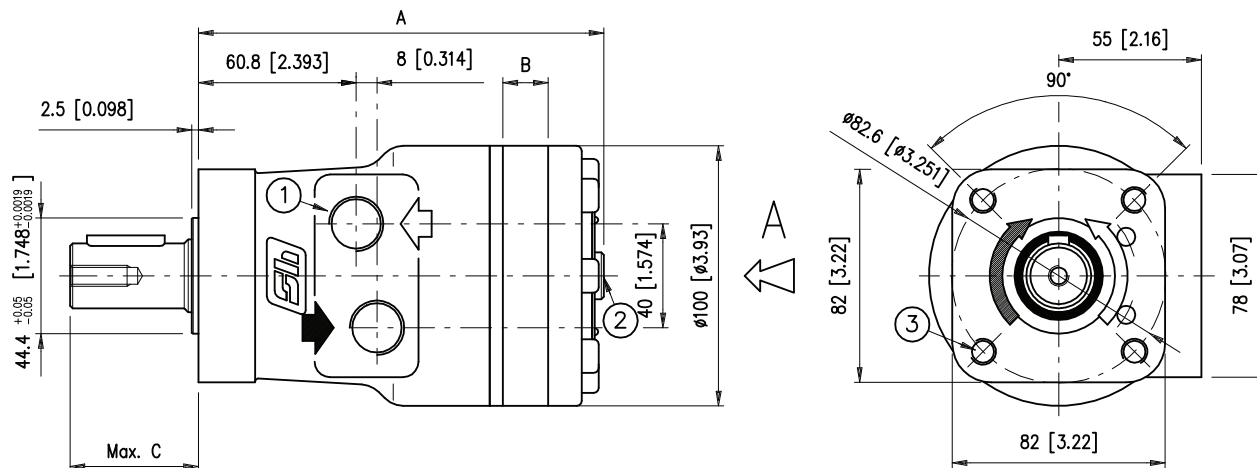
ALBERO SHAFT		CL250	LC254	SD250	CL320	C3175	CN320				
C	mm [in]	55.3 [2.17]	55.3 [2.17]	55.3 [2.17]	68.3 [2.68]	59.1 [2.32]	68.5 [2.69]				

		BR O 050	BR O 065	BR O 080	BR O 100	BR O 130	BR O 160	BR O 200	BR O 250	BR O 315	BR O 400
A	mm [in]	139.5 [5.49]	141.8 [5.58]	144.5 [5.68]	147.7 [5.81]	152.1 [5.98]	158.2 [6.22]	165.3 [6.50]	173.9 [6.84]	185.1 [7.28]	198.4 [7.81]
B	mm [in]	9 [0.354]	11.3 [0.444]	14 [0.551]	17.4 [0.68]	21.8 [0.85]	27.8 [1.09]	34.8 [1.37]	43.5 [1.71]	54.8 [2.15]	68.38 [2.69]
Pesi Weight	kg [lb]	7.3 [16] ¹⁾	7.5 [16.5] ¹⁾	7.6 [16.7] ¹⁾	7.8 [17.1] ¹⁾	8.1 [17.8] ¹⁾	8.4 [18.5] ¹⁾	8.7 [19.1] ¹⁾	9.2 [20.2] ¹⁾	9.9 [21.8] ¹⁾	10.2 [22.4] ¹⁾
		7.4 [16.3]	7.6 [16.7]	7.7 [16.9]	9 [19.8]	8.3 [18.2]	8.6 [18.9]	9 [19.8]	9.5 [20.9]	10.2 [22.4]	10.5 [23.1]

1) I valori si riferiscono alla versione con albero CL250/LC254/SD250 - The values are referred to CL250/LC254/SD250 shaft

SPECIALE A RICHIESTA - SPECIAL ON REQUEST

Flangia S4 Flange
Attacchi M08 Main ports



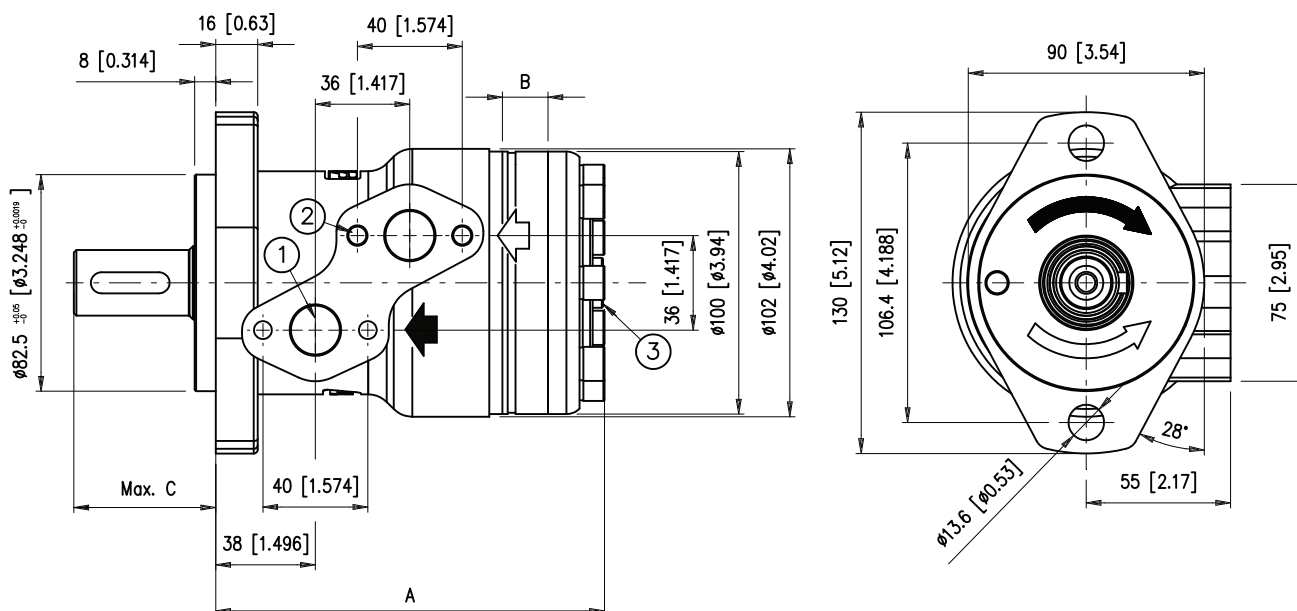
- 1) N° 2 fori di alimentazione 1/2 G (BSPP) profondità filetto 18 mm
No. 2 1/2 G (BSPP) main ports thread depth 0.70 in
- 2) Drenaggio motore 1/4 G (BSPP) profondità filetto 15 mm.
1/4 G (BSPP) drain motor thread depth 0.59 in.
- 3) N° 4 3/8" 16 UNC profondità filetto 17 mm
No. 4 3/8" 16 UNC thread depth 0.66 in

Per le dimensioni degli alberi vedere pagina E/16
For shafts dimensions see page E/16

ALBERO SHAFT		CL250	LC254	SD250							
C	mm [in]	49.4 [1.94]	49.4 [1.94]	49.4 [1.94]							

		BR O 050	BR O 065	BR O 080	BR O 100	BR O 130	BR O 160	BR O 200	BR O 250	BR O 315	BR O 400
A	mm [in]	147.8 [5.81]	150.1 [5.90]	152.8 [6.01]	156.2 [6.14]	160.6 [6.32]	166.6 [6.55]	173.6 [6.83]	182.3 [7.17]	193.6 [7.62]	207.1 [8.15]
B	mm [in]	9 [0.354]	11.3 [0.444]	14 [0.551]	17.4 [0.68]	21.8 [0.85]	27.8 [1.09]	34.8 [1.37]	43.5 [1.71]	54.8 [2.15]	68.38 [2.69]
Pesi Weight	kg [lb]	7.1 [15.6]	7.3 [16]	7.4 [16.3]	7.6 [16.7]	7.9 [17.4]	8.2 [18]	8.5 [18.7]	9 [19.8]	9.7 [21.3]	10 [22]

Flangia 2A Flange
Attacchi R08 Main ports

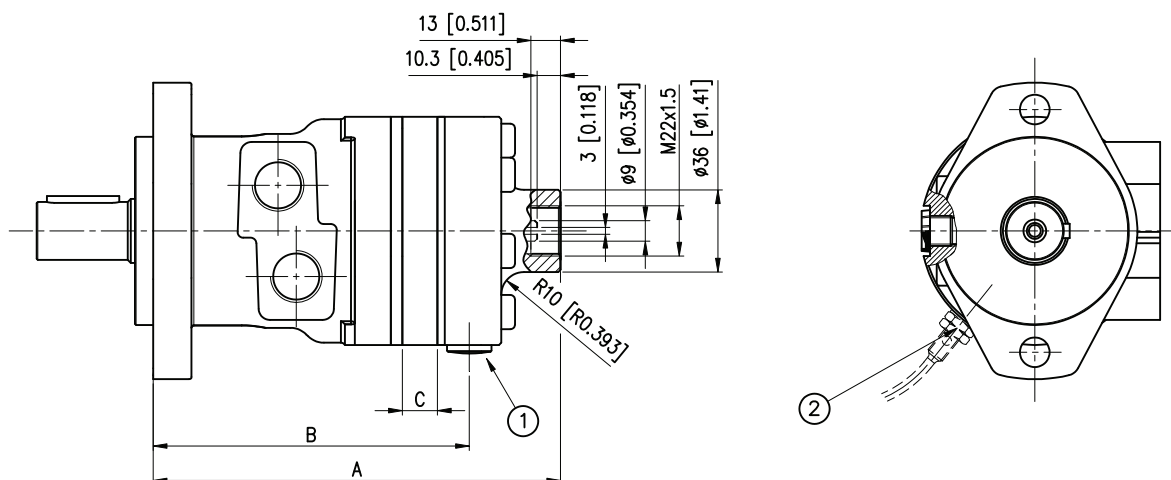


- 1) N° 2 fori di alimentazione 1/2 G (BSPP) profondità filetto 18 mm
No. 2 1/2 G (BSPP) main ports thread depth 0.70 in
- 2) N° 4 fori M8 tratto utile filetto 15 mm
No. 4 M8 thread depth 0.59 in
- 3) Drenaggio motore 1/4 G (BSPP) profondità filetto 12 mm (non presente in Versione HPS)
1/4 G (BSPP) drain motor thread depth 0.472 in (not in HPS version)

Per le dimensioni degli alberi vedere pagina E/16
For shafts dimensions see page E/16

ALBERO SHAFT		CL250	LC254	SD250							
C	mm [in]	54 [2.12]	54 [2.12]	54 [2.12]							
		BR E 050	BR E 065	BR E 080	BR E 100	BR E 130	BR E 160	BR E 200	BR E 250	BR E 315	BR E 400
A	mm [in]	139.8 [5.50]	142.1 [5.59]	144.8 [5.70]	148.2 [5.83]	152.6 [6.01]	158.6 [6.24]	165.6 [6.52]	174.3 [6.86]	185.6 [7.31]	199.2 [7.84]
B	mm [in]	9 [0.354]	11.3 [0.444]	14 [0.551]	17.4 [0.68]	21.8 [0.85]	27.8 [1.09]	34.8 [1.37]	43.5 [1.71]	54.8 [2.15]	68.38 [2.69]
Peso Weight	kg [lb]	7.2 [15.8]	7.4 [16.3]	7.5 [16.5]	7.7 [16.9]	8 [17.6]	8.3 [18.2]	8.6 [18.9]	9.1 [20]	9.8 [21.5]	10.1 [22.2]

- 1) Drenaggio motore 1/4 G (BSPP) profondità filetto 12 mm
1/4 G (BSPP) drain motor thread depth 0.472 in
- 2) Attacco sensore M8x1
Sensor connection M8x1



ATTENZIONE:

- L'alberino contagiri ha velocità pari a 6 volte quella dell'albero primario del motore e senso di rotazione opposto.
- N.B.: Non sono accettati carichi assiali o radiali sull'albero contagiri. Coppia massima trasmissibile 1 Nm.
- Il motore viene fornito senza il sensore elettronico: se necessario, richiederlo in fase di ordinazione.
- Pressione massima ammessa sulla guarnizione dell'albero contagiri con drenaggio chiuso: 25 bar.

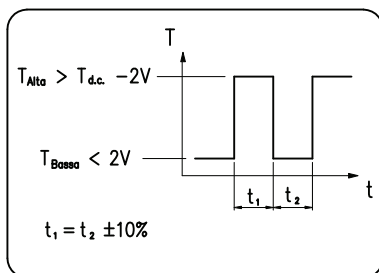
WARNING:

- Tacho shaft has a 6 times higher revolution speed than the motor shaft and opposite direction of rotation.
- NOTE: Axial or radial load on tacho shaft must be avoided. Max torque on tacho 1 Nm [0.737 lbf-ft].
- The electronic sensor is not supplied: if required, please state it clearly on order form.
- Max pressure admissible on the shaft seal with closed drain port 25 bar [362.5 psi].

		BR O 050	BR O 065	BR O 080	BR O 100	BR O 130	BR O 160	BR O 200	BR O 250	BR O 315	BR O 400
A	mm [in]	172 [6.77]	174.3 [6.86]	177 [6.96]	180.4 [7.10]	184.8 [7.27]	190.8 [7.51]	197.8 [7.78]	206.5 [8.12]	217.8 [8.57]	231.3 [9.10]
B	mm [in]	132 [5.19]	134.3 [5.28]	137 [5.39]	140.4 [5.52]	144.8 [5.70]	150.8 [5.93]	157.8 [6.21]	166.5 [6.55]	177.8 [7.00]	191.3 [7.53]
C	mm [in]	9 [0.354]	11.3 [0.444]	14 [0.551]	17.4 [0.68]	21.8 [0.85]	27.8 [1.09]	34.8 [1.37]	43.5 [1.71]	54.8 [2.15]	68.38 [2.69]
Pesi Weight	kg [lb]	7.7 [16.9]	7.9 [17.4]	8 [17.6]	8.2 [18]	8.5 [18.7]	8.8 [19.3]	9.1 [20]	9.6 [21.1]	10.3 [22.7]	10.6 [23.3]

CARATTERISTICHE TECNICHE SENSORE ELETTRONICO
ELECTRONIC SENSOR TECHNICAL FEATURES

Segnale in uscita versione elettronica
Output signal electronic tacho



Numero d'impulsi per giro = 90
Principio di funzionamento induttivo
Funzione di uscita PNP
Tensione nominale 10-65 V d.c.
Caricabilità massima 300 mA
Frequenza massima 10000 Hz
Campo di temperatura -25C +85C
Grado di protezione IP 67

Versioni disponibili:

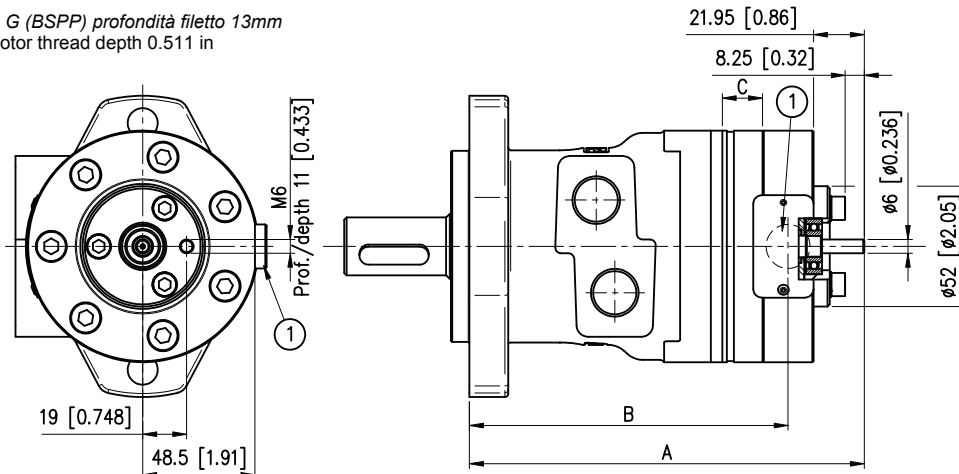
- Sensore con cavo a tre fili lunghezza 2 metri (cod. 424.0050.0000)
- Sensore con attacco per connettore tipo binder (cod. 424.0060.0000) + connettore tipo binder
- Con cavo a tre fili lunghezza 5 metri (cod. 424.0080.0000)

Number of pulses per revolution = 90
Inductive principle
Output current PNP
Voltage 10-65 V d.c.
Max load 300 mA
Max frequency 10000 Hz
Temperature range -25C +85C
Enclosure IP 67

Available versions:

- Sensor with 2 metres three wires cable (cod. 424.0050.0000)
- Sensor with binder plug connection (cod. 424.0060.0000) + binder connecting plug with 5 metres three wires cable (cod. 424.0080.0000)

1) Drenaggio motore 1/4 G (BSPP) profondità filetto 13mm
1/4 G (BSPP) drain motor thread depth 0.511 in



ATTENZIONE:

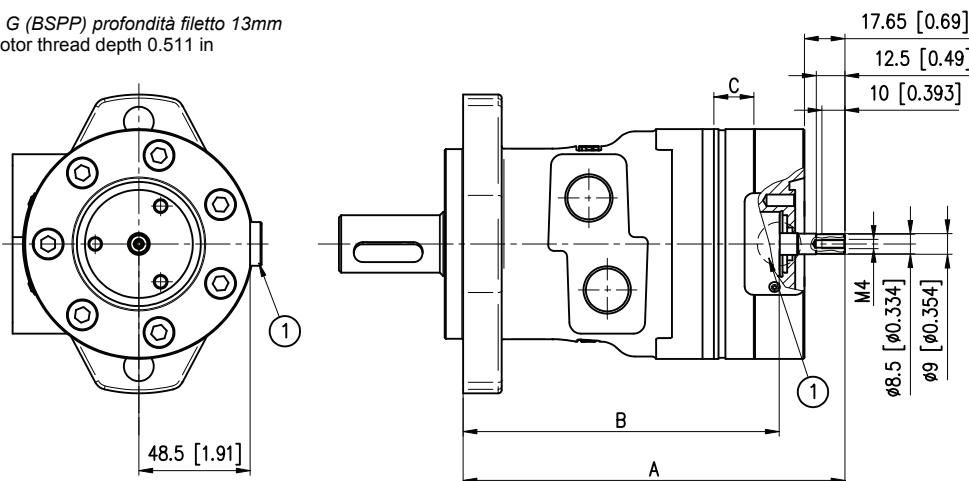
- L'alberino contagiri ha velocità pari a 6 volte quella dell'albero primario del motore e senso di rotazione opposto.
- N.B.: Non sono accettati carichi assiali o radiali sull'albero contagiri.

WARNING:

- Tacho shaft has a 6 times higher revolution speed than the motor shaft and opposite direction of rotation.
- NOTE: Axial or radial load on tacho shaft must be avoided.

		BR O 050	BR O 065	BR O 080	BR O 100	BR O 130	BR O 160	BR O 200	BR O 250	BR O 315	BR O 400
A	mm [in]	162.2 [6.38]	164.5 [6.48]	167.2 [6.58]	170.5 [6.71]	175 [6.89]	181 [7.12]	188 [7.40]	196.6 [7.74]	208 [8.19]	221.5 [8.72]
B	mm [in]	129.3 [5.09]	131.6 [5.18]	134.3 [5.29]	137.7 [5.42]	142.1 [5.59]	148.1 [5.83]	155.1 [6.11]	163.8 [6.45]	175.1 [6.89]	188.7 [7.43]
C	mm [in]	9 [0.354]	11.3 [0.444]	14 [0.551]	17.4 [0.68]	21.8 [0.85]	27.8 [1.09]	34.8 [1.37]	43.5 [1.71]	54.8 [2.15]	68.38 [2.69]
Pesi / Weight	kg [lb]	7.7 [16.9]	7.9 [17.4]	8 [17.6]	8.2 [18]	8.5 [18.7]	8.8 [19.3]	9.1 [20]	9.6 [21.1]	10.3 [22.7]	10.6 [23.3]

1) Drenaggio motore 1/4 G (BSPP) profondità filetto 13mm
1/4 G (BSPP) drain motor thread depth 0.511 in



ATTENZIONE:

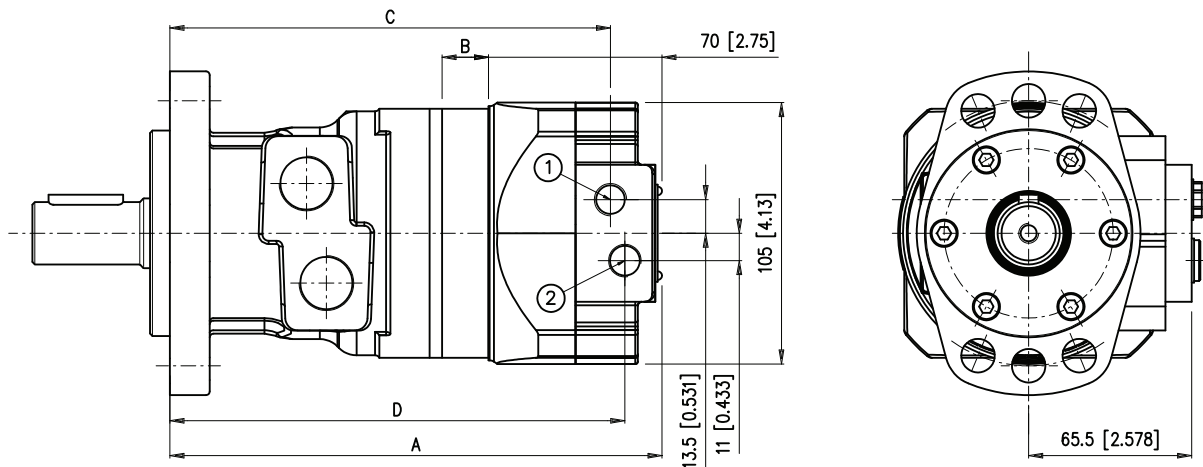
- L'alberino contagiri ha velocità pari a 6 volte quella dell'albero primario del motore e senso di rotazione opposto.
- N.B.: Non sono accettati carichi assiali o radiali sull'albero contagiri.

WARNING:

- Tacho shaft has a 6 times higher revolution speed than the motor shaft and opposite direction of rotation.
- NOTE: Axial or radial load on tacho shaft must be avoided.

		BR O 050	BR O 065	BR O 080	BR O 100	BR O 130	BR O 160	BR O 200	BR O 250	BR O 315	BR O 400
A	mm [in]	157.9 [6.21]	160.2 [6.31]	162.9 [6.41]	166.2 [6.54]	170.7 [6.72]	176.7 [6.96]	183.7 [7.23]	192.3 [7.57]	203.7 [8.02]	217.2 [8.55]
B	mm [in]	129.3 [5.09]	131.6 [5.18]	134.3 [5.29]	137.7 [5.42]	142.1 [5.59]	148.1 [5.83]	155.1 [6.11]	163.8 [6.45]	175.1 [6.89]	188.7 [7.43]
C	mm [in]	9 [0.354]	11.3 [0.444]	14 [0.551]	17.4 [0.68]	21.8 [0.85]	27.8 [1.09]	34.8 [1.37]	43.5 [1.71]	54.8 [2.15]	68.38 [2.69]
Pesi / Weight	kg [lb]	7.7 [16.9]	7.9 [17.4]	8 [17.6]	8.2 [18]	8.5 [18.7]	8.8 [19.3]	9.1 [20]	9.6 [21.1]	10.3 [22.7]	10.6 [23.3]

- 1) Comando apertura freno 1/4 G (BSPP) profondità filetto 13mm
1/4 G (BSPP) brake releasing thread depth 0.511 in
- 2) Drenaggio motore 1/4 G (BSPP) profondità filetto 13mm
1/4 G (BSPP) drain motor thread depth 0.511 in



		BR O 050	BR O 065	BR O 080	BR O 100	BR O 130	BR O 160	BR O 200	BR O 250	BR O 315	BR O 400
A	mm [in]	187.9 [7.39]	190.2 [7.48]	192.9 [7.59]	196.3 [7.72]	200.7 [7.90]	206.7 [8.13]	213.7 [8.41]	222.4 [8.75]	233.7 [9.20]	247.2 [9.73]
B	mm [in]	9 [0.354]	11.3 [0.444]	14 [0.551]	17.4 [0.68]	21.8 [0.85]	27.8 [1.09]	34.8 [1.37]	43.5 [1.71]	54.8 [2.15]	68.38 [2.69]
C	mm [in]	169.9 [6.68]	172.2 [6.77]	174.9 [6.88]	178.3 [7.01]	182.7 [7.19]	188.7 [7.42]	195.7 [7.70]	204.4 [8.04]	215.7 [8.49]	229.2 [9.02]
D	mm [in]	173 [6.81]	175.3 [6.90]	178 [7.00]	181.4 [7.14]	185.8 [7.31]	191.8 [7.55]	198.8 [7.82]	207.5 [8.16]	218.8 [8.61]	232.2 [9.14]
Pesi Weight	kg [lb]	8.2 [18]	8.4 [18.5]	8.5 [18.7]	8.7 [19.1]	9 [19.8]	9.3 [20.4]	9.6 [21.1]	10.1 [22.2]	10.8 [23.8]	11.1 [24.4]

CARATTERISTICHE FRENO
BRAKE FEATURES

I freni integrati nei motori FP sono freni di stazionamento a sbloccaggio idraulico (freni negativi) e non possono essere impiegati per frenare dinamicamente il carico.

The brakes integrated in FP motors are holding brakes type (negative brake) and cannot be used for dynamic braking action.

Accorgimenti per l'installazione

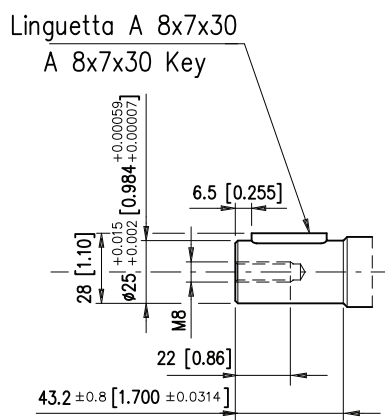
Installation layout

- Il motore idraulico con freno posteriore FP richiede obbligatoriamente il collegamento del drenaggio motore, posto sul corpo freno, in serbatoio a scarico libero.
- Nel caso di funzionamento in circuito aperto è consigliato l'utilizzo di una valvola di ritardo chiusura freno (per evitare il funzionamento dinamico dello stesso) di una valvola overcentre e di un distributore a centro aperto.

- The FP hydraulic motors must always have the drain port (on casing) directly connected with tank
- If open circuit layout is needed, it is advisable to use a flow control valve on brake piston ports (in order to avoid dynamic braking), on overcentre valve and a open-centre directional valve.

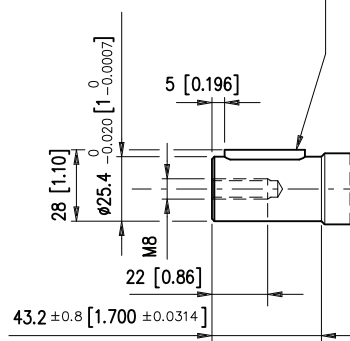
Caratteristiche del motore-freno		Motor-brake features
Pressione di apertura minima	22 bar [319 psi]	Minim release pressure
Pressione di freno libero	25 bar [362.5 psi]	Complete brake release pressure
Pressione massima sul freno	160 bar [2320 psi]	Max. brake pressure
Coppia massimastica	370 Nm [272.7 lbf-ft]	Max. static torque
Velocità massima motore	350 rpm	Max. motor speed

ALBERO CILINDRICO CL250
CL250 CYLINDRICAL SHAFT

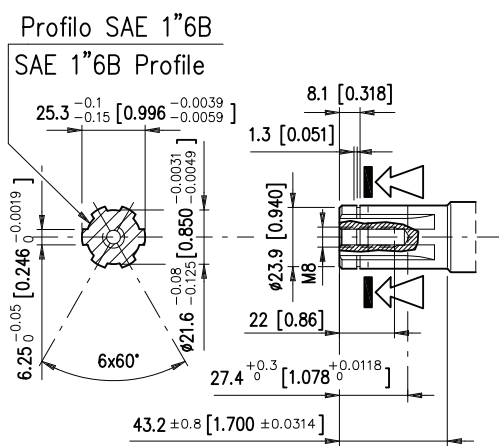


ALBERO CILINDRICO LC254
LC254 CYLINDRICAL SHAFT

Linguetta A 1/4"x1/4"x1/4" BS46
A 1/4"x1/4"x1/4" BS46 Key

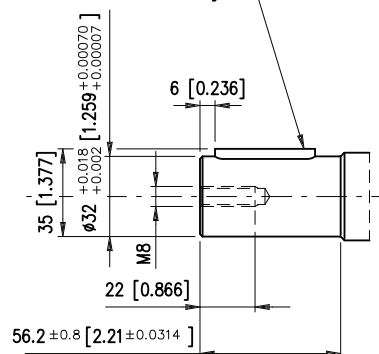


ALBERO SCANALATO SD250
SD250 SPLINED SHAFT



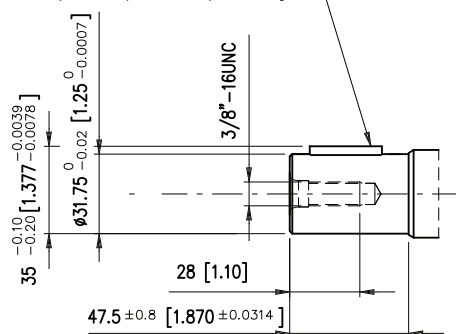
ALBERO CILINDRICO CL320
CL320 CYLINDRICAL SHAFT

Linguetta A 10x8x40
A 10x8x40 Key



ALBERO CILINDRICO C3175
C3175 CYLINDRICAL SHAFT

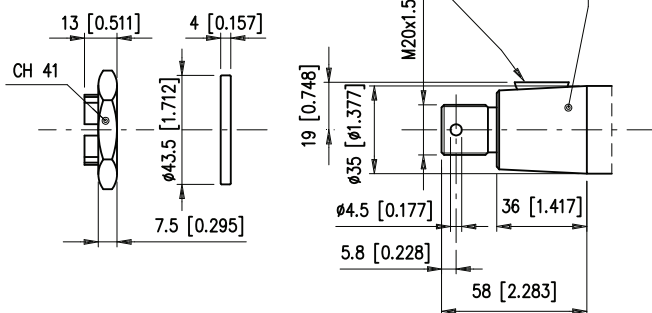
Linguetta A 5/16x5/16x1.1/4 UNI 6604
A 5/16x5/16x1.1/4 Key



ALBERO CONICO CN320
CN320 TAPERED SHAFT

Linguetta 6x9 UNI 6606-69
6x9 UNI 6606-69 key

Conicità' 1:10
1:10 taper



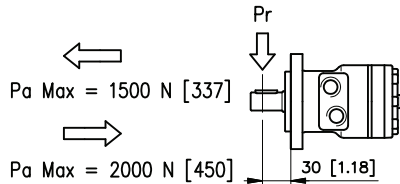
CARICHI AMMESSI SULL'ALBERO SHAFT LOAD CAPACITY

I carichi ammessi sull'albero variano in funzione di:

- Velocità (n)
- Distanza (L) dal punto di applicazione del carico alla flangia di montaggio
- Versione della flangia di montaggio
- Versione dell'albero

Formula utilizzabile per il calcolo del carico radiale (Pr) ai vari numeri di giri (n), e alle varie distanze (L) dalla flangia tipo "2A" ovale 2 fori e "6A" ovale 6 fori.

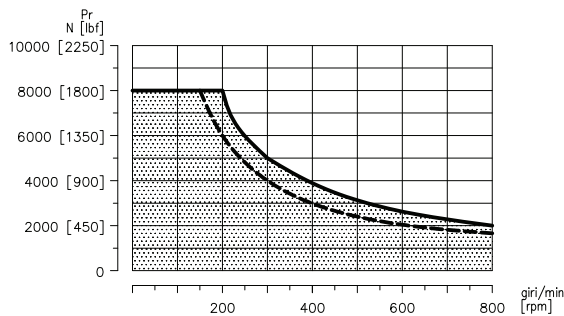
Radial load capacity (Pr) cur ve according to speed (n) and distance (L) from flange, valid for the 2-bolt flange type "2A" and 6-bolt flange type "6A"



	Flangia / Flange 2A	Flangia / Flange 6A
alberi / shafts CL250 LC254 SD250	$Pr = \frac{800}{n} \cdot \frac{250000}{95 + L}$ [N]	$Pr = \frac{800}{n} \cdot \frac{250000}{95 + L}$ [N]
alberi / shafts C3175 CL320 CN320		$Pr = \frac{800}{n} \cdot \frac{187500}{95 + L}$ [N]

Formula valida per n >= 200 rpm
Per n < 200 rpm Prmax = 8000 N

This formula being valid for n >= 200 rpm
For n < 200 rpm Prmax = 8000 N [1800 lbf]

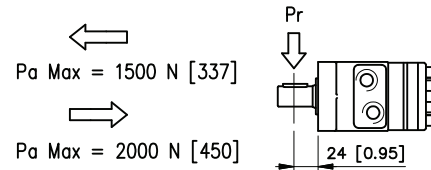


The permissible radial shaft load depends on

- Speed (n)
- Distance (L) from the point of load to the mounting flange
- Mounting flange version
- Shaft version

Formula utilizzabile per il calcolo del carico radiale (Pr) ai vari numeri di giri (n), e alle varie distanze (L) dalla flangia tipo "S4" 4 fori.

Radial load capacity (Pr) cur ve according to speed (n) and distance (L) from flange, valid for the 4-bolt flange type "S4".



	Flangia / Flange S4
alberi / shafts CL250 LC254 SD250	$Pr = \frac{800}{n} \cdot \frac{242000}{97 + L}$ [N]

Formula valida per n >= 200 rpm
Per n < 200 rpm Prmax = 8000 N

This formula being valid for n >= 200 rpm
For n < 200 rpm Prmax = 8000 N [1800 lbf]

La curva mostra la relazione tra (Pr) e (n) quando:

- L = 30 mm [1.18 in] per motori flangia 2A e 6A
- L = 24 mm [0.95 in] per motori flangia S4

The curve show the relation between (Pr) and (n)

- L = 30 mm [1.18 in] for motors with 2A and 6A flange
- L = 24 mm [0.95 in] for motors with S4 flange

--- Per alberi C3175-CL320-CN320
For shafts C3175-CL320-CN320
— Per alberi CL250-LC254-SD250
For shafts CL250-LC254-SD250

DATI TECNICI PER MOTORE BS CON ALBERO CILINDRICO CL254
BS MOTOR TECHNICAL DATA WITH CL254 PARALLEL KEYS SHAFT

Motore Motor	Cilindrata Displacement	Pressione Max ingresso Max. input pressure		Pressione diff. max. Max.differential pressure		Coppia max. Max. torque		Portata max. Max. flow		Velocità max. Max. speed		Potenza max. Max. power	
	cm ³ /rev [in ³ /rev]	bar [psi]		bar [psi]		Nm [lbf-ft]		l/min [U.S. gpm]		giri/min [rpm]		kW [hp]	
BS 050	51.6 [3.14]	Cont	175 [2537]	Cont	140 [2030]	Cont	103 [75.9]	Cont	40 [10.6]	Cont	775	Cont	6.8 [9.1]
		Int ¹⁾	200 [2900]	Int ¹⁾	175 [2540]	Int ¹⁾	126 [92.8]	Int ¹⁾	50 [13.2]	Int ¹⁾	969	Int ¹⁾	8.4 [11.2]
		Peak ²⁾	225 [3262]	Peak ²⁾	225 [3262]	Peak ²⁾	225 [3262]	Peak ²⁾	225 [3262]	Peak ²⁾	225 [3262]	Peak ²⁾	225 [3262]
BS 065	64.9 [3.95]	Cont	175 [2537]	Cont	150 [2175]	Cont	140 [103.1]	Cont	50 [13.2]	Cont	770	Cont	9.2 [12.3]
		Int ¹⁾	200 [2900]	Int ¹⁾	185 [2682]	Int ¹⁾	166 [122.3]	Int ¹⁾	60 [15.9]	Int ¹⁾	924	Int ¹⁾	10.6 [14.2]
		Peak ²⁾	225 [3262]	Peak ²⁾	225 [3262]	Peak ²⁾	225 [3262]	Peak ²⁾	225 [3262]	Peak ²⁾	225 [3262]	Peak ²⁾	225 [3262]
BS 080	80.4 [4.9]	Cont	175 [2537]	Cont	175 [2537]	Cont	197 [145.1]	Cont	60 [15.9]	Cont	746	Cont	13 [17.4]
		Int ¹⁾	200 [2900]	Int [*]	200 [2900]	Int [*]	218 [160.6]	Int ¹⁾	75 [19.8]	Int ¹⁾	933	Int ¹⁾	15 [20.1]
		Peak ²⁾	225 [3262]	Peak ²⁾	225 [3262]	Peak ²⁾	225 [3262]	Peak ²⁾	225 [3262]	Peak ²⁾	225 [3262]	Peak ²⁾	225 [3262]
BS 100	100 [6.1]	Cont	175 [2537]	Cont	175 [2537]	Cont	237 [174.6]	Cont	60 [15.9]	Cont	600	Cont	13 [17.4]
		Int ¹⁾	200 [2900]	Int ¹⁾	200 [2900]	Int ¹⁾	277 [204.1]	Int ¹⁾	75 [19.8]	Int ¹⁾	750	Int ¹⁾	15 [20.1]
		Peak ²⁾	225 [3262]	Peak ²⁾	225 [3262]	Peak ²⁾	225 [3262]	Peak ²⁾	225 [3262]	Peak ²⁾	225 [3262]	Peak ²⁾	225 [3262]
BS 130	125.7 [7.66]	Cont	175 [2537]	Cont	175 [2537]	Cont	300 [221.1]	Cont	60 [15.9]	Cont	477	Cont	12.5 [16.8]
		Int ¹⁾	200 [2900]	Int ¹⁾	200 [2900]	Int ¹⁾	340 [250.5]	Int ¹⁾	75 [19.8]	Int ¹⁾	597	Int ¹⁾	14.5 [19.4]
		Peak ²⁾	225 [3262]	Peak ²⁾	225 [3262]	Peak ²⁾	225 [3262]	Peak ²⁾	225 [3262]	Peak ²⁾	225 [3262]	Peak ²⁾	225 [3262]
BS 160	160 [9.76]	Cont	175 [2537]	Cont	140 [2030]	Cont	296 [218.1]	Cont	60 [15.9]	Cont	375	Cont	10 [13.4]
		Int ¹⁾	200 [2900]	Int ¹⁾	175 [2540]	Int ¹⁾	375 [276.3]	Int ¹⁾	75 [19.8]	Int ¹⁾	469	Int ¹⁾	12.5 [16.8]
		Peak ²⁾	225 [3262]	Peak ²⁾	225 [3262]	Peak ²⁾	225 [3262]	Peak ²⁾	225 [3262]	Peak ²⁾	225 [3262]	Peak ²⁾	225 [3262]
BS 200	200 [12.2]	Cont	175 [2537]	Cont	115 [1667]	Cont	297 [218.8]	Cont	60 [15.9]	Cont	300	Cont	8.5 [11]
		Int ¹⁾	200 [2900]	Int ¹⁾	140 [2030]	Int ¹⁾	380 [280]	Int ¹⁾	75 [19.8]	Int ¹⁾	375	Int ¹⁾	10 [13.4]
		Peak ²⁾	225 [3262]	Peak ²⁾	225 [3262]	Peak ²⁾	225 [3262]	Peak ²⁾	225 [3262]	Peak ²⁾	225 [3262]	Peak ²⁾	225 [3262]
BS 250	250 [15.2]	Cont	175 [2537]	Cont	90 [1305]	Cont	297 [218.8]	Cont	60 [15.9]	Cont	240	Cont	7.1 [9.5]
		Int ¹⁾	200 [2900]	Int ¹⁾	120 [1740]	Int ¹⁾	377 [277.8]	Int ¹⁾	75 [19.8]	Int ¹⁾	300	Int ¹⁾	8.5 [11]
		Peak ²⁾	225 [3262]	Peak ²⁾	225 [3262]	Peak ²⁾	225 [3262]	Peak ²⁾	225 [3262]	Peak ²⁾	225 [3262]	Peak ²⁾	225 [3262]
BS 315	314.5 [19.1]	Cont	175 [2537]	Cont	70 [1020]	Cont	300 [221.1]	Cont	60 [15.9]	Cont	191	Cont	5 [6.7]
		Int ¹⁾	200 [2900]	Int ¹⁾	100 [1450]	Int ¹⁾	420 [309.5]	Int ¹⁾	75 [19.8]	Int ¹⁾	238	Int ¹⁾	6.6 [8.8]
		Peak ²⁾	225 [3262]	Peak ²⁾	210 [3045]	Peak ²⁾	210 [3045]	Peak ²⁾	210 [3045]	Peak ²⁾	210 [3045]	Peak ²⁾	210 [3045]
BS 400	393 [23.9]	Cont	175 [2537]	Cont	55 [800]	Cont	292 [215.2]	Cont	60 [15.9]	Cont	153	Cont	4.1 [5.4]
		Int ¹⁾	200 [2900]	Int ¹⁾	85 [1230]	Int ¹⁾	425 [313.2]	Int ¹⁾	75 [19.8]	Int ¹⁾	191	Int ¹⁾	6.1 [8.1]
		Peak ²⁾	225 [3262]	Peak ²⁾	175 [2537]	Peak ²⁾	175 [2537]	Peak ²⁾	175 [2537]	Peak ²⁾	175 [2537]	Peak ²⁾	175 [2537]

DATI TECNICI PER MOTORE BS CON ALBERO SCANALATO SE250
BS MOTOR TECHNICAL DATA WITH SE250 SPLINED SHAFT

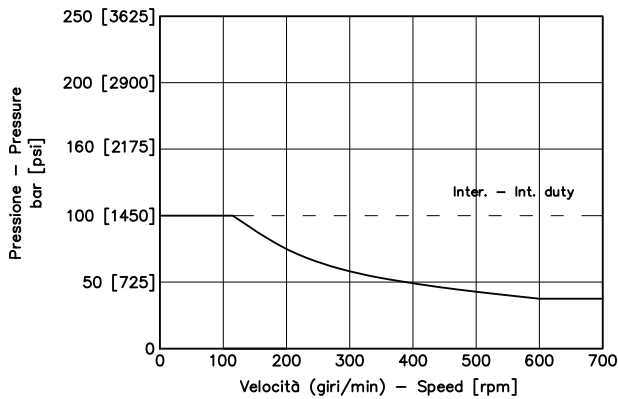
Motore Motor	Cilindrata Displacement	Pressione max ingresso Max. input pressure		Pressione diff. max. Max.differential pressure		Coppia max. Max. torque		Portata max. Max. flow		Velocità max. Max. speed		Potenza max. Max. power	
	cm ³ /rev [in ³ /rev]	bar [psi]		bar [psi]		Nm [lbf-ft]		l/min [U.S. gpm]		giri/min [rpm]		kW [hp]	
BS 050	51.6 [3.14]	Cont	175 [2537]	Cont	140 [2030]	Cont	103 [75.9]	Cont	40 [10.6]	Cont	775	Cont	6.8 [9.1]
		Int ¹⁾	200 [2900]	Int ¹⁾	175 [2540]	Int ¹⁾	126 [92.8]	Int ¹⁾	50 [13.2]	Int ¹⁾	969	Int ¹⁾	8.4 [11.2]
		Peak ²⁾	225 [3262]	Peak ²⁾	225 [3262]	Peak ²⁾	225 [3262]	Peak ²⁾	225 [3262]	Peak ²⁾	225 [3262]	Peak ²⁾	225 [3262]
BS 065	64.9 [3.95]	Cont	175 [2537]	Cont	150 [2175]	Cont	140 [103.1]	Cont	50 [13.2]	Cont	770	Cont	9.2 [12.3]
		Int ¹⁾	200 [2900]	Int ¹⁾	185 [2682]	Int ¹⁾	166 [122.3]	Int ¹⁾	60 [15.9]	Int ¹⁾	924	Int ¹⁾	10.6 [14.2]
		Peak ²⁾	225 [3262]	Peak ²⁾	225 [3262]	Peak ²⁾	225 [3262]	Peak ²⁾	225 [3262]	Peak ²⁾	225 [3262]	Peak ²⁾	225 [3262]
BS 080	80.4 [4.9]	Cont	175 [2537]	Cont	175 [2537]	Cont	197 [145.1]	Cont	60 [15.9]	Cont	746	Cont	13 [17.4]
		Int ¹⁾	200 [2900]	Int [*]	200 [2900]	Int [*]	218 [160.6]	Int ¹⁾	75 [19.8]	Int ¹⁾	933	Int ¹⁾	15 [20.1]
		Peak ²⁾	225 [3262]	Peak ²⁾	225 [3262]	Peak ²⁾	225 [3262]	Peak ²⁾	225 [3262]	Peak ²⁾	225 [3262]	Peak ²⁾	225 [3262]
BS 100	100 [6.1]	Cont	175 [2537]	Cont	175 [2537]	Cont	237 [174.6]	Cont	60 [15.9]	Cont	600	Cont	13 [17.4]
		Int ¹⁾	200 [2900]	Int ¹⁾	200 [2900]	Int ¹⁾	277 [204.1]	Int ¹⁾	75 [19.8]	Int ¹⁾	750	Int ¹⁾	15 [20.1]
		Peak ²⁾	225 [3262]	Peak ²⁾	225 [3262]	Peak ²⁾	225 [3262]	Peak ²⁾	225 [3262]	Peak ²⁾	225 [3262]	Peak ²⁾	225 [3262]
BS 130	125.7 [7.66]	Cont	175 [2537]	Cont	175 [2537]	Cont	300 [221.1]	Cont	60 [15.9]	Cont	477	Cont	12.5 [16.8]
		Int ¹⁾	200 [2900]	Int ¹⁾	200 [2900]	Int ¹⁾	340 [250.5]	Int ¹⁾	75 [19.8]	Int ¹⁾	597	Int ¹⁾	14.5 [19.4]
		Peak ²⁾	225 [3262]	Peak ²⁾	225 [3262]	Peak ²⁾	225 [3262]	Peak ²⁾	225 [3262]	Peak ²⁾	225 [3262]	Peak ²⁾	225 [3262]
BS 160	160 [9.76]	Cont	175 [2537]	Cont	165 [2390]	Cont	350 [257.9]	Cont	60 [15.9]	Cont	375	Cont	11.8 [15.8]
		Int ¹⁾	200 [2900]	Int ¹⁾	200 [2900]	Int ¹⁾	428 [315.4]	Int ¹⁾	75 [19.8]	Int ¹⁾	469	Int ¹⁾	14.3 [19.1]
		Peak ²⁾	225 [3262]	Peak ²⁾	225 [3262]	Peak ²⁾	225 [3262]	Peak ²⁾	225 [3262]	Peak ²⁾	225 [3262]	Peak ²⁾	225 [3262]
BS 200	200 [12.2]	Cont	175 [2537]	Cont	130 [1890]	Cont	335 [246.8]	Cont	60 [15.9]	Cont	300	Cont	9.7 [12.9]
		Int ¹⁾	200 [2900]	Int ¹⁾	165 [2390]	Int ¹⁾	446 [328.7]	Int ¹⁾	75 [19.8]	Int ¹⁾	375	Int ¹⁾	12 [16]
		Peak ²⁾	225 [3262]	Peak ²⁾	225 [3262]	Peak ²⁾	225 [3262]	Peak ²⁾	225 [3262]	Peak ²⁾	225 [3262]	Peak ²⁾	225 [3262]
BS 250	250 [15.2]	Cont	175 [2537]	Cont	105 [1522]	Cont	347 [255.7]	Cont	60 [15.9]	Cont	240	Cont	8.3 [11.1]
		Int ¹⁾	200 [2900]	Int ¹⁾	135 [1957]	Int ¹⁾	424 [312.4]	Int ¹⁾	75 [19.8]	Int ¹⁾	300	Int ¹⁾	9.6 [12.8]
		Peak ²⁾	225 [3262]	Peak ²⁾	225 [3262]	Peak ²⁾	225 [3262]	Peak ²⁾	225 [3262]	Peak ²⁾	225 [3262]	Peak ²⁾	225 [3262]
BS 315	314.5 [19.1]	Cont	175 [2537]	Cont	85 [1232]	Cont	362 [266.7]	Cont	60 [15.9]	Cont	191	Cont	6 [8]
		Int ¹⁾	200 [2900]	Int ¹⁾	115 [1670]	Int ¹⁾	484 [356.7]	Int ¹⁾	75 [19.8]	Int ¹⁾	238	Int ¹⁾	7.6 [10.1]
		Peak ²⁾	225 [3262]	Peak ²⁾	210 [3045]	Peak ²⁾	210 [3045]	Peak ²⁾	210 [3045]	Peak ²⁾	210 [3045]	Peak ²⁾	210 [3045]
BS 400	393 [23.9]	Cont	175 [2537]	Cont	65 [942]	Cont	345 [254.2]	Cont	60 [15.9]	Cont	153	Cont	4.9 [6.5]
		Int ¹⁾	200 [2900]	Int ¹⁾	90 [1310]	Int ¹⁾	450 [331.6]	Int ¹⁾	75 [19.8]	Int ¹⁾	191	Int ¹⁾	6.5 [8.7]
		Peak ²⁾	225 [3262]	Peak ²⁾	175 [2537]	Peak ²⁾	175 [2537]	Peak ²⁾	175 [2537]	Peak ²⁾	175 [2537]	Peak ²⁾	175 [2537]

1) Le condizioni intermittenti non devono durare più del 10% di ogni minuto. Intermittent duty must not exceed 10% every minute.
2) Le condizioni di picco non devono durare più del 1% di ogni minuto. Peak duty must not exceed 1% of every minute.

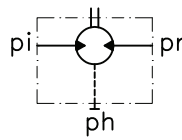
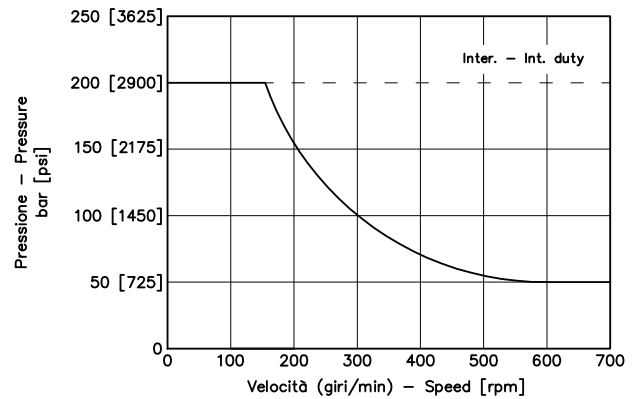
Pressione massima di scarico senza drenaggio o massima pressione nella linea di drenaggio. I motori sono forniti nella versione con guarnizioni standard (diagramma Standard) o nella versione con guarnizioni ad alta pressione (diagramma HPS). Per condizioni di pressione e velocità non contemplate dal presente grafico si consiglia di contattare la S.A.M. Hydraulik.

Max. return pressure without drain line or max. pressure in the drain line. Motor are supplied in standard seal version (Standard chart) or in HPS seal version (HPS chart). For pressure and speeds not showed in the curve below, please contact S.A.M. Hydraulik.

STANDARD (QDR)



HPS



$$Ph = \frac{pi + pr}{2} [bar]$$

ph = pressione in carcassa
pi = pressione di alimentazione
pr = pressione di scarico

ph = housing pressure
 pi = inlet pressure
 pr = outlet pressure

- La pressione in carcassa senza drenaggio è data dalla media tra pi e pr.
- Il motore BS è fornito con drenaggio (STANDARD)
- La massima pressione di scarico con drenaggio è di 175 bar
- The case pressure without drain line is the average between inlet and return pressure.
- As standard, BS motors are supplied with drain port (STANDARD).
- Max. permissible return (back) pressure with drain line 175 bar [2540 psi]

Le seguenti lettere o numeri del codice, sono state sviluppate per identificare tutte le configurazioni possibili dei motori BS. Usare il seguente modulo per identificare le caratteristiche desiderate. **Tutte le lettere o numeri del codice devono comparire in fase d'ordine.** Si consiglia di leggere attentamente il catalogo prima di iniziare la compilazione del codice di ordinazione.

The following alphanumeric digits system has been developed to identify all of the configuration options for the BS motors. Use the model code below to specify the desired features. **All alphanumeric digits system of the code must be present when ordering.** We recommend to carefully read the catalogue before filling the ordering code.

CODICE PRODOTTO / MODEL CODE

1	2	3	4	5	6	7	8	8A	9	10

1 - SERIE / SERIES

BS	Motore orbitale Orbital motor
----	----------------------------------

2 - VERSIONI / VERSIONS

O	Versione O O Version
---	-------------------------

3 - CILINDRATA / DISPLACEMENT

050	51.6 cm ³ /giro [3.14 in ³ /rev]
065	64.9 cm ³ /giro [3.95 in ³ /rev]
080	80.4 cm ³ /giro [4.9 in ³ /rev]
100	100 cm ³ /giro [6.1 in ³ /rev]
130	125.7 cm ³ /giro [7.66 in ³ /rev]
160	160 cm ³ /giro [9.76 in ³ /rev]
200	200 cm ³ /giro [12.2 in ³ /rev]
250	250 cm ³ /giro [15.2 in ³ /rev]
315	314.5 cm ³ /giro [19.1 in ³ /rev]
400	393 cm ³ /giro [23.9 in ³ /rev]

4 - FLANGIA / MOUNTING FLANGE

6A	Ovale 6 Fori Oval 6 Bolts	STANDARD
S4	4 fori 3/8 16 UNC - Ø44,45mm 4 Bolt 3/8 16 UNC - Ø1.75 in	

5 - ATTACCHI / MAIN PORTS

S08	Attacchi 7/8" - 14 UNF SAE10 7/8" - 14 UNF SAE10 Main Ports	STANDARD
SS8	Attacchi 1/2" - 14 NPTF 1/2" - 14 NPTF Main Ports	
BFL	Attacchi Manifold Manifold Main Ports	
MS8	Attacchi 1/2 G BSPP 1/2 G BSPP (Main Ports)	

1	2	3	4	5	6	7	8	8A	9	10

6 - ESTREMITÀ ALBERO / OUTPUT SHAFT

CL254	Albero Cilindrico Ø25.4 mm 1 in Parallel keyed	STANDARD
SE250	Albero Scanalato (profilo SAE 6B 1" Z6) Splined Shaft (SAE 6B 1" 6T spline)	
SE210	Albero Scanalato (profilo ANSI-B92.1a-1976-16/32 Z13) Splined Shaft (ANSI-B92.1a-1976-16/32 13T spline)	Speciale a richiesta Special on request

7 - TENUTE / SEALS

N	NBR
---	-----

8 - VALVOLE / VALVES

XXXX	Non Richieste Not Required
------	-------------------------------

8A - CARATTERISTICA VALVOLA / VALVES FEATURE

000	Caratteristica non necessaria Feature not necessary
-----	--

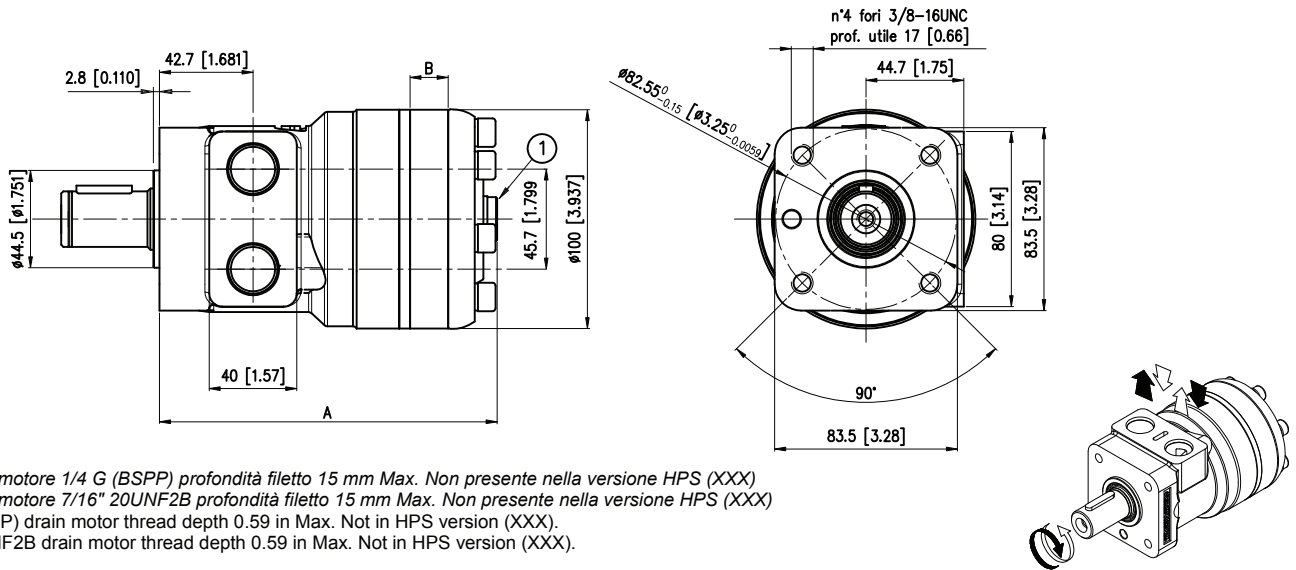
9 - CARATTERISTICA VERSIONE / VERSION FEATURE

XXX	Guarnizione alta pressione (HPS) (senza Drenaggio posteriore) High Pressure Seal (HPS) (without Rear drain)	
QDR	Versione QUAD-RING con Drenaggio posteriore 1/4 G (BSPP) QUAD-RING Version with Rear drain 1/4 G (BSPP)	STANDARD
QDS	Versione QUAD-RING con Drenaggio posteriore 7/16" 20UNF2B QUAD-RING Version with Rear drain 7/16" 20UNF2B	
DPS	Guarnizione alta pressione con Drenaggio posteriore 7/16" 20UNF2B High Pressure Seal with Rear drain 7/16" 20UNF2B	
DPM	Guarnizione alta pressione con Drenaggio posteriore 1/4 G (BSPP) High Pressure Seal with Rear drain 1/4 G (BSPP)	

10 - OPZIONI / OPTIONS

XX	Non verniciato Not painted
01	Verniciato Nero RAL 9005 Black Painted RAL 9005

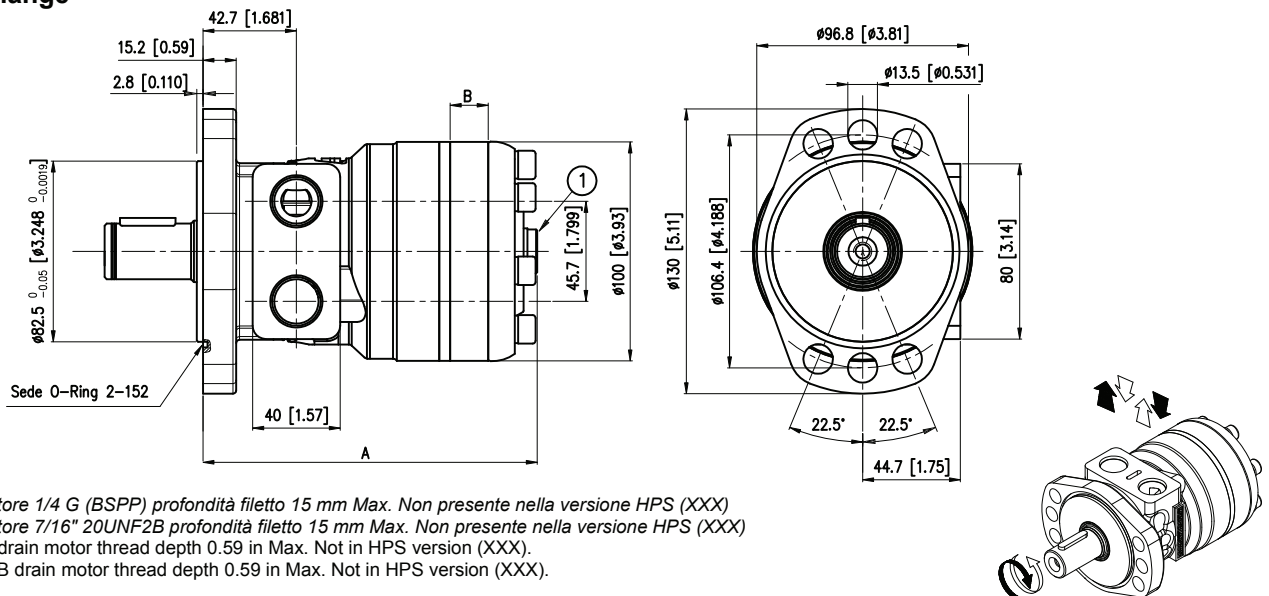
Flangia S4 Flange



- 1) Drenaggio motore 1/4 G (BSPP) profondità filetto 15 mm Max. Non presente nella versione HPS (XXX)
Drenaggio motore 7/16" 20UNF2B profondità filetto 15 mm Max. Non presente nella versione HPS (XXX)
1/4 G (BSPP) drain motor thread depth 0.59 in Max. Not in HPS version (XXX).
7/16" 20UNF2B drain motor thread depth 0.59 in Max. Not in HPS version (XXX).

		BS 050	BS 065	BS 080	BS 100	BS 130	BS 160	BS 200	BS 250	BS 315	BS 400
A	mm [in]	145 [5.70]	147.3 [5.79]	150 [5.90]	153.5 [6.04]	158 [6.22]	164 [6.45]	171 [6.73]	179.5 [7.06]	191 [7.51]	204.5 [8.05]
B	mm [in]	9 [0.354]	11.3 [0.444]	14 [0.551]	17.4 [0.68]	21.8 [0.85]	27.8 [1.09]	34.8 [1.37]	43.5 [1.71]	54.8 [2.15]	68.38 [2.69]
Pesi Weight	kg [lb]	6.8 [14.96]	7 [15.42]	7.1 [15.62]	7.4 [16.28]	7.7 [16.94]	8 [17.6]	8.4 [18.48]	8.9 [19.58]	9.6 [21.12]	9.9 [21.78]

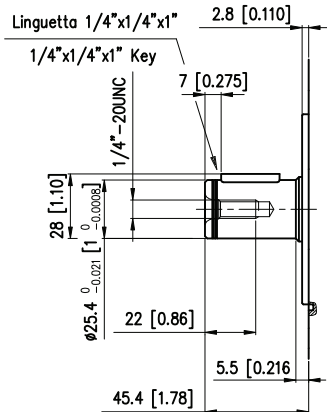
Flangia 6A Flange



- 1) Drenaggio motore 1/4 G (BSPP) profondità filetto 15 mm Max. Non presente nella versione HPS (XXX)
Drenaggio motore 7/16" 20UNF2B profondità filetto 15 mm Max. Non presente nella versione HPS (XXX)
1/4 G (BSPP) drain motor thread depth 0.59 in Max. Not in HPS version (XXX).
7/16" 20UNF2B drain motor thread depth 0.59 in Max. Not in HPS version (XXX).

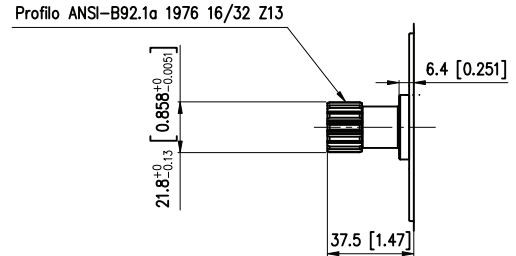
		BS 050	BS 065	BS 080	BS 100	BS 130	BS 160	BS 200	BS 250	BS 315	BS 400
A	mm [in]	143.7 [5.65]	146 [5.74]	148.7 [5.85]	152.1 [5.98]	156.5 [6.16]	162.5 [6.39]	169.5 [6.67]	178.2 [7.01]	189.5 [7.46]	203 [7.99]
B	mm [in]	9 [0.354]	11.3 [0.444]	14 [0.551]	17.4 [0.68]	21.8 [0.85]	27.8 [1.09]	34.8 [1.37]	43.5 [1.71]	54.8 [2.15]	68.38 [2.69]
Pesi Weight	kg [lb]	6.8 [14.96]	7 [15.42]	7.1 [15.62]	7.4 [16.28]	7.7 [16.94]	8 [17.6]	8.4 [18.48]	8.9 [19.58]	9.6 [21.12]	9.9 [21.78]

Cilindrico CL254
Parallel CL254



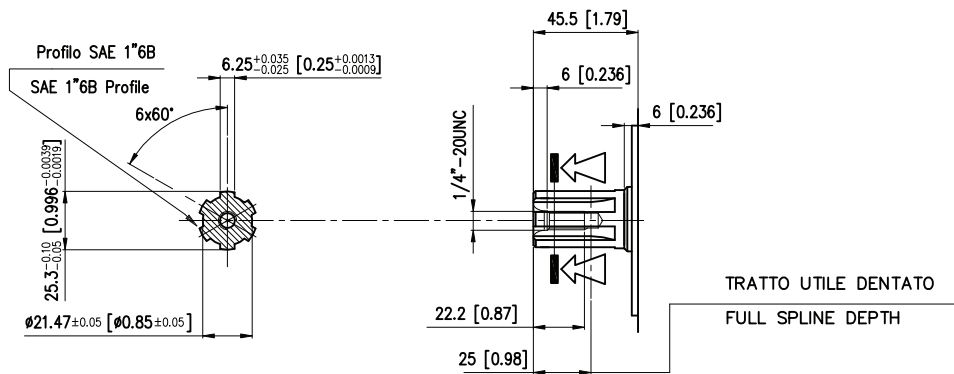
Coppia Massima 292 Nm
Max Torque Continuous 292 Nm [215.2 lbf-ft]

Scanalato SE210
Splined SE210



Coppia Massima 140 Nm
Max Torque Continuous 140 Nm [103.18 lbf-ft]

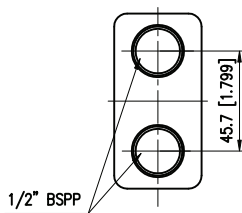
Scanalato SE250
Splined SE250



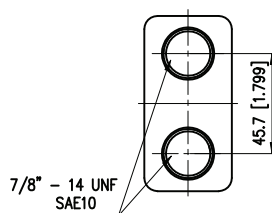
Coppia Massima 345 Nm
Max Torque Continuous 345 Nm [254.26 lbf-ft]

ATTACCHI
OPTIONS

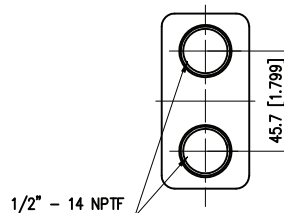
MS8



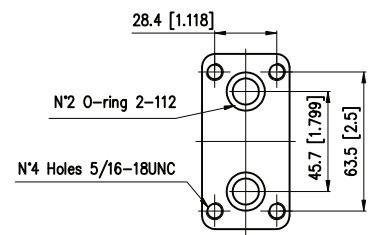
S08



SS8



Manifold (BFL)

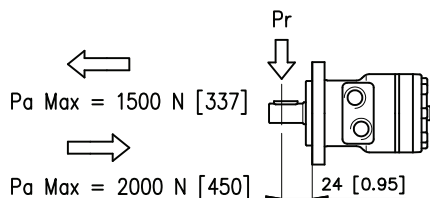


I carichi ammessi sull'albero variano in funzione di:

- Velocità (n)
- Distanza (L) dal punto di applicazione del carico alla flangia di montaggio
- Versione della flangia di montaggio

Formula utilizzabile per il calcolo del carico radiale (Pr) ai vari numeri di giri (n), e alle varie distanze (L) dalla flangia tipo "6A" ovale 6 fori.

Radial load capacity (Pr) cur ve according to speed (n) and distance (L) from flange, valid for the 6-bolt flange type "6A".



$$Pr = \frac{800}{n} \cdot \frac{242000}{97 + L} \text{ [N]}$$

Formula valida per n >= 200 rpm
Per n < 200 rpm Prmax = 8000 N

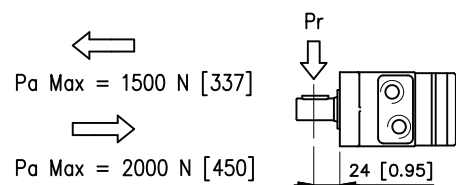
This formula being valid for n >= 200 rpm
For n < 200 rpm Prmax = 8000 N [1800 lbf]

The permissible radial shaft load depends on

- Speed (n)
- Distance (L) from the point of load to the mounting flange
- Mounting flange version

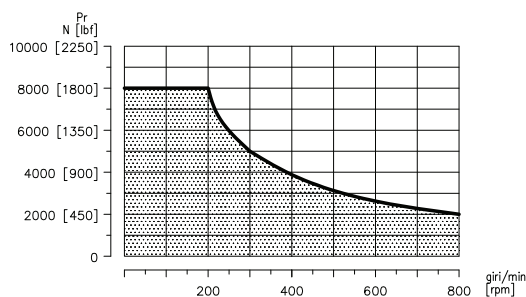
Formula utilizzabile per il calcolo del carico radiale (Pr) ai vari numeri di giri (n), e alle varie distanze (L) dalla flangia tipo "S4" 4 fori.

Radial load capacity (Pr) cur ve according to speed (n) and distance (L) from flange, valid for the 4-bolt flange type "S4".



Formula valida per n >= 200 rpm
Per n < 200 rpm Prmax = 8000 N

This formula being valid for n >= 200 rpm
For n < 200 rpm Prmax = 8000 N [1800 lbf]



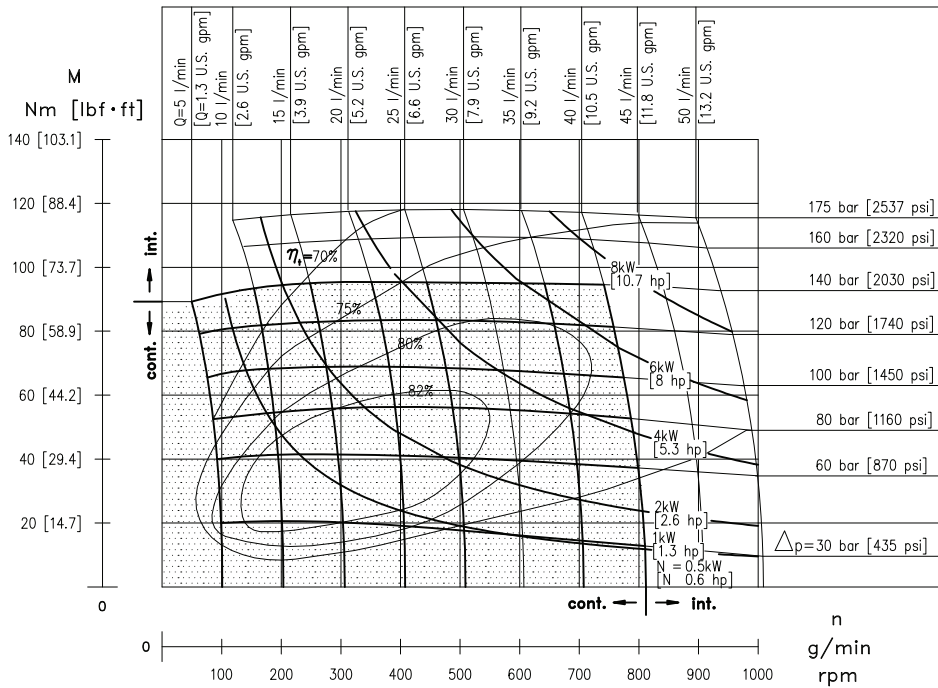
La curva mostra la relazione tra (Pr) e (n) quando:

- L = 24 mm [0.95 in] per motori flangia S4 e 6A

The curve show the relation between (Pr) and (n)

- L = 24 mm [0.95 in] for motors with S4 and 6A flange

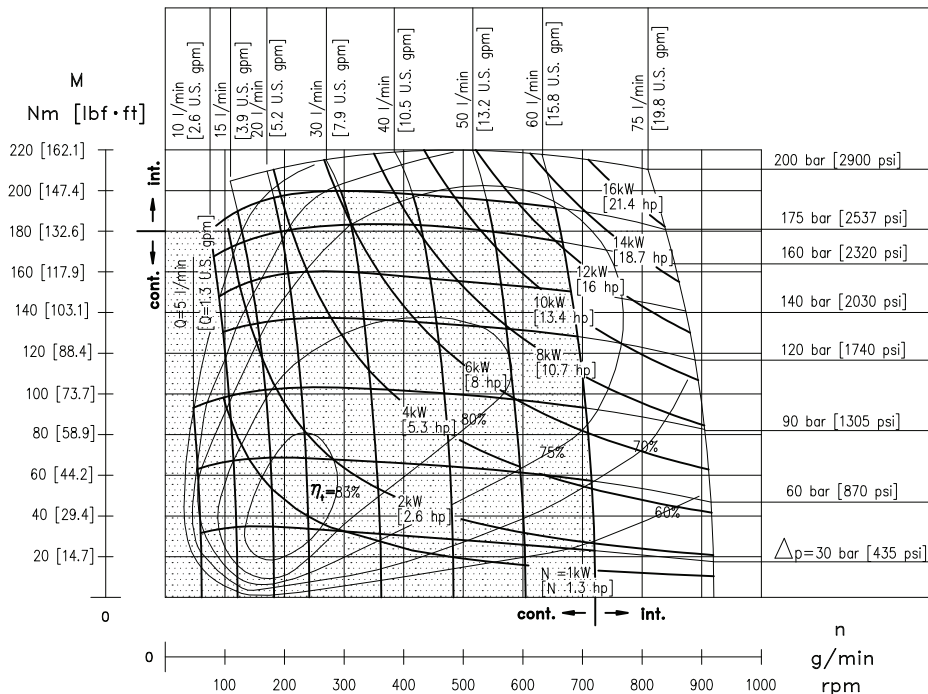
BR-BS 050



Pressioni e portate superiori a quelle ammesse in regime continuo non devono essere applicate contemporaneamente.

Exceeding continuous pressure values or exceeding flow values indicated, must not occur simultaneously.

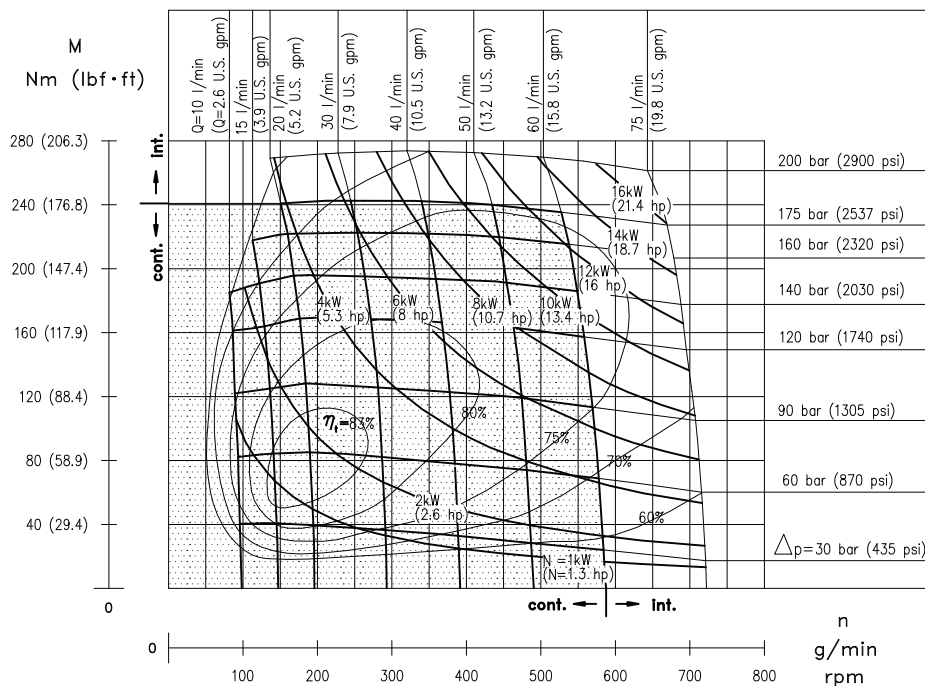
BR-BS 080



Pressioni e portate superiori a quelle ammesse in regime continuo non devono essere applicate contemporaneamente.

Exceeding continuous pressure values or exceeding flow values indicated, must not occur simultaneously.

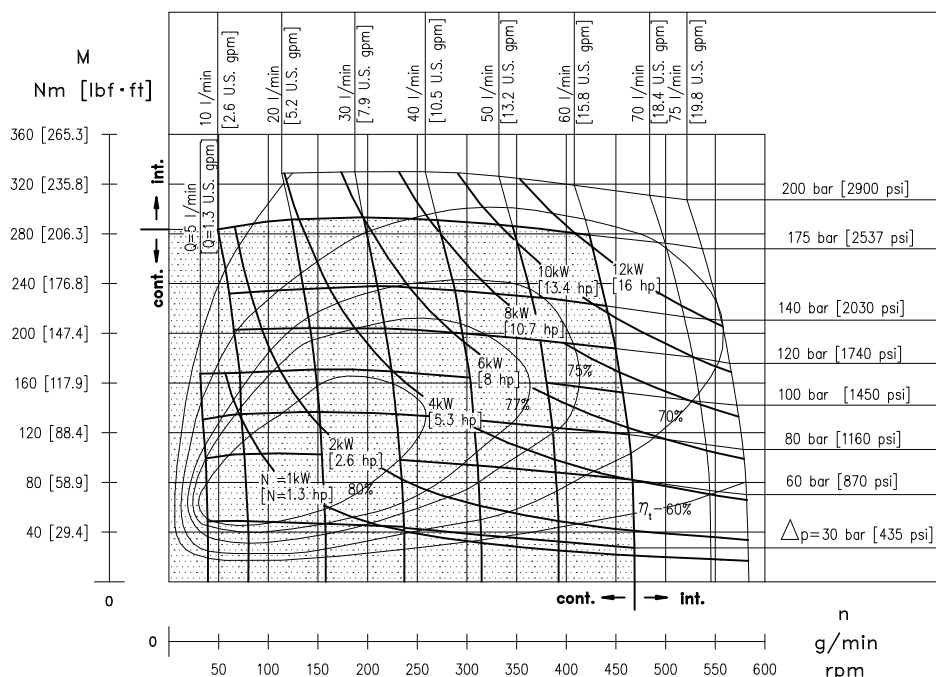
BR-BS 100



Pressioni e portate superiori a quelle ammesse in regime continuo non devono essere applicate contemporaneamente.

Exceeding continuous pressure values or exceeding flow values indicated, must not occur simultaneously.

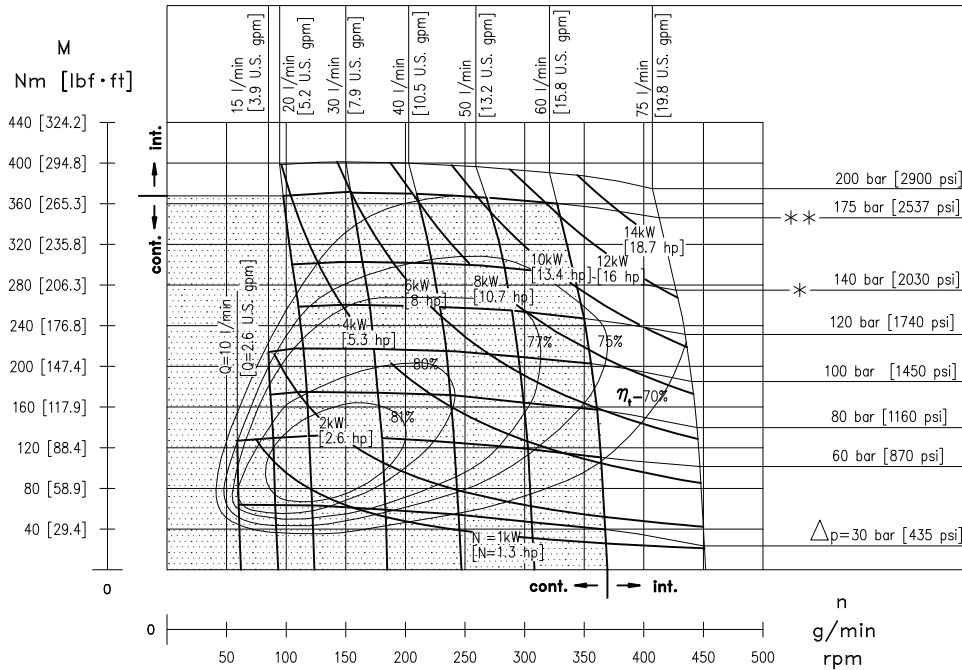
BR-BS 130



Pressioni e portate superiori a quelle ammesse in regime continuo non devono essere applicate contemporaneamente.

Exceeding continuous pressure values or exceeding flow values indicated, must not occur simultaneously.

BR-BS 160



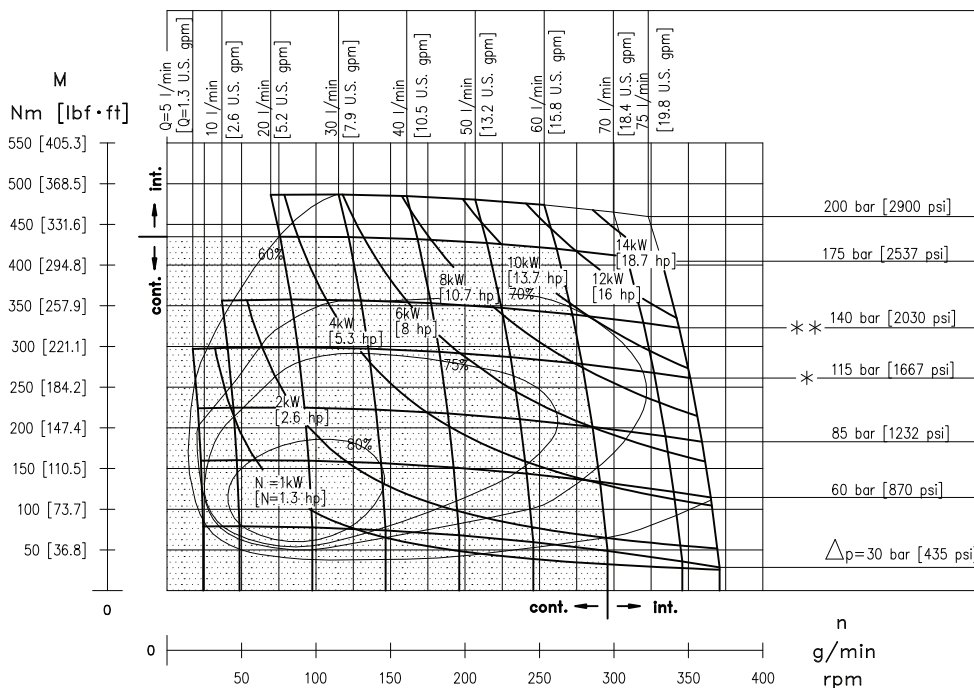
* Pressione massima continua per versione con albero Ø25.
 ** Pressione massima intermittente per versione con albero Ø25.

Pressioni e portate superiori a quelle ammesse in regime continuo non devono essere applicate contemporaneamente.

* Constant maximum pressure for Ø25 shaft model.
 ** Intermittent maximum pressure for Ø25 shaft model.

Exceeding continuous pressure values or exceeding flow values indicated, must not occur simultaneously.

BR-BS 200



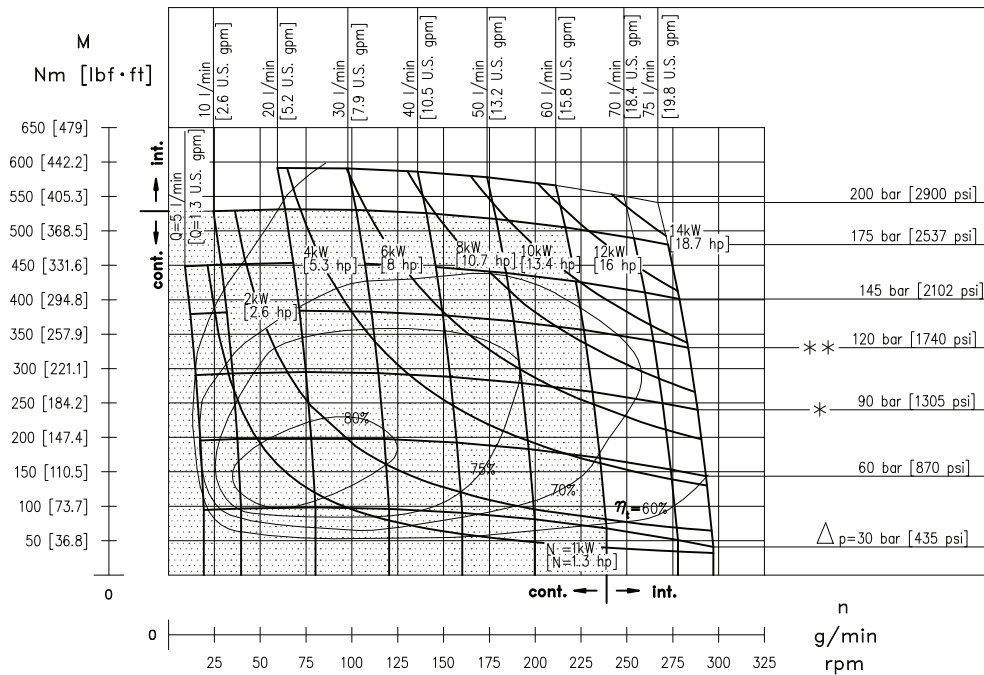
* Pressione massima continua per versione con albero Ø25.
 ** Pressione massima intermittente per versione con albero Ø25.

Pressioni e portate superiori a quelle ammesse in regime continuo non devono essere applicate contemporaneamente.

* Constant maximum pressure for Ø25 shaft model.
 ** Intermittent maximum pressure for Ø25 shaft model.

Exceeding continuous pressure values or exceeding flow values indicated, must not occur simultaneously.

BR-BS 250



* Pressione massima continua per versione con albero Ø25.

** Pressione massima intermittente per versione con albero Ø25.

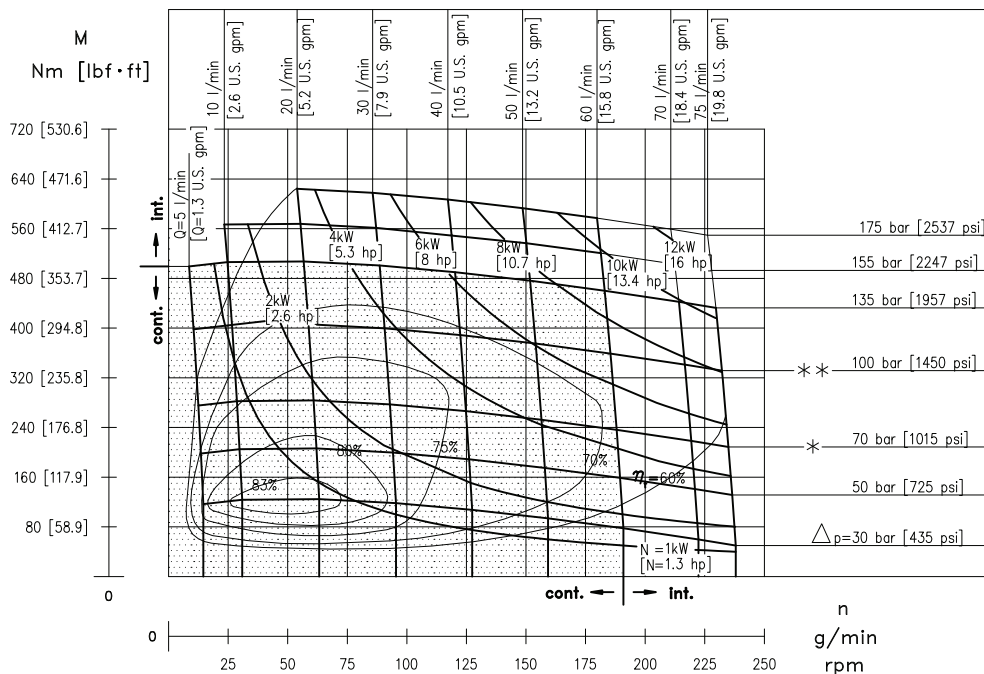
Pressioni e portate superiori a quelle ammesse in regime continuo non devono essere applicate contemporaneamente.

* Constant maximum pressure for Ø25 shaft model.

** Intermittent maximum pressure for Ø25 shaft model.

Exceeding continuous pressure values or exceeding flow values indicated, must not occur simultaneously.

BR-BS 315



* Pressione massima continua per versione con albero Ø25.

** Pressione massima intermittente per versione con albero Ø25.

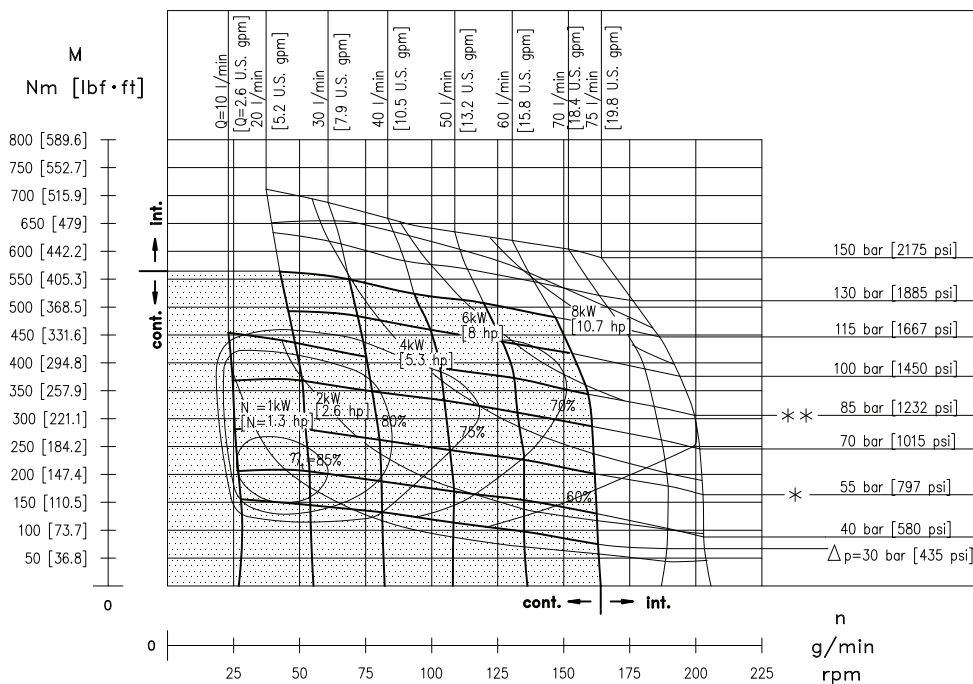
Pressioni e portate superiori a quelle ammesse in regime continuo non devono essere applicate contemporaneamente.

* Constant maximum pressure for Ø25 shaft model.

** Intermittent maximum pressure for Ø25 shaft model.

Exceeding continuous pressure values or exceeding flow values indicated, must not occur simultaneously.

BR-BS 400



* Pressione massima continua per versione con albero Ø25.

** Pressione massima intermittente per versione con albero Ø25.

Pressioni e portate superiori a quelle ammesse in regime continuo non devono essere applicate contemporaneamente.

* Constant maximum pressure for Ø25 shaft model.

** Intermittent maximum pressure for Ø25 shaft model.

Exceeding continuous pressure values or exceeding flow values indicated, must not occur simultaneously.

Informazioni sul prodotto

Dati i continui sviluppi, le modifiche e le migliorie al prodotto, la S.A.M. Hydraulik Spa non sarà responsabile per eventuali informazioni che possano indurre in errore, od erronee, riportate da cataloghi, istruzioni, disegni, dati tecnici e altri dati forniti dalla S.A.M. Hydraulik Spa. Non sarà possibile basare alcun procedimento legale su tale materiale.

Modifiche del prodotto. La S.A.M. Hydraulik Spa si riserva il diritto di variare i suoi prodotti, anche quelli già ordinati, senza notifica.

Notice

Due to the continuous product developments, modifications and improvements S.A.M. Hydraulik Spa will not be held responsible for any erroneous information or data that may lead to errors, indicated in catalogues, instructions, drawings, technical data and other data supplied by S.A.M. Hydraulik Spa. Therefore, legal actions cannot be based on such material. **Product development.** S.A.M. Hydraulik Spa reserves the right to make changes to its products, even for those already ordered, without notice.