

COMPACT POWER UNIT CO2

Technical Data

Flow rate Q	up to 20 l/min (5,25 GPM)
Continuous pressure	up to 250 bar (3600 PSI)
Peak load	up to 300 bar (4600 PSI)
Motor	0,37 - 5,5 kW (0,50 – 7,35 HP)
Pump displacement	Vg: 1-12 ccm (0,06 – 0,73 cu.in)
Reservoir	round tank 2,5 l – 16,6 l (0,6 – 4,4 gallons) filling volume square tank 19 l (5,0 gallons)
Increased duty cycle	S6 (Continuous run with intermittent load) S3 (Intermittent duty) S2 (Short term operation)

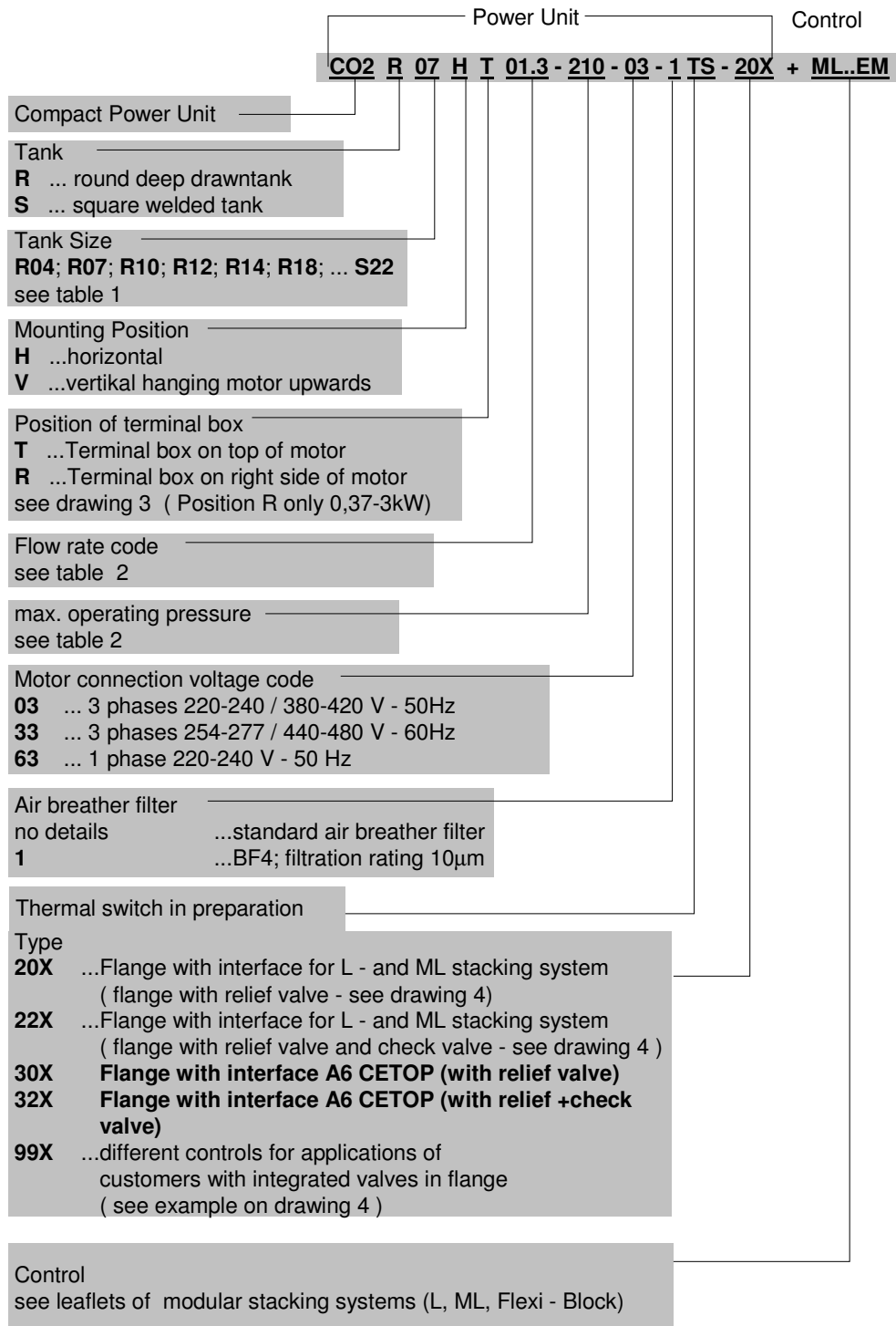
Advantages

- ⇒ Very low noise level due to specially designed assembly
- ⇒ Power units are compact and light due to aluminium flanges and progressive motors
- ⇒ High overall operating efficiency due to the use of high efficient motor and pump combination
- ⇒ Greater variety of control blocks due to modular stacking systems
- ⇒ Easy to service. Easy accessibility of control valves

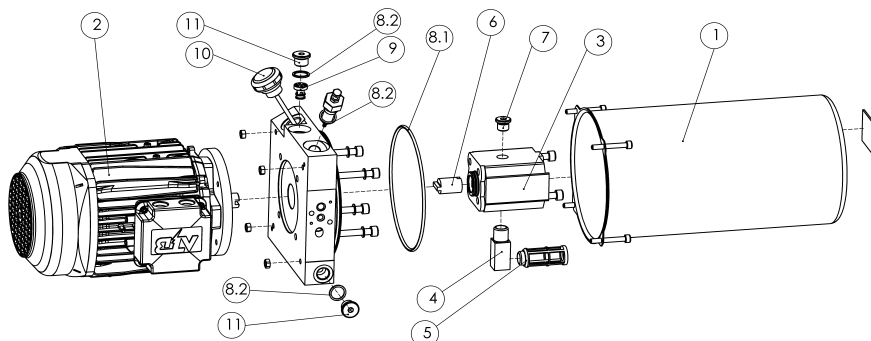
Example of power unit with modular stacking system



Model Code CO-Power Unit



Drawing 1



Drawing 2 Dimensions

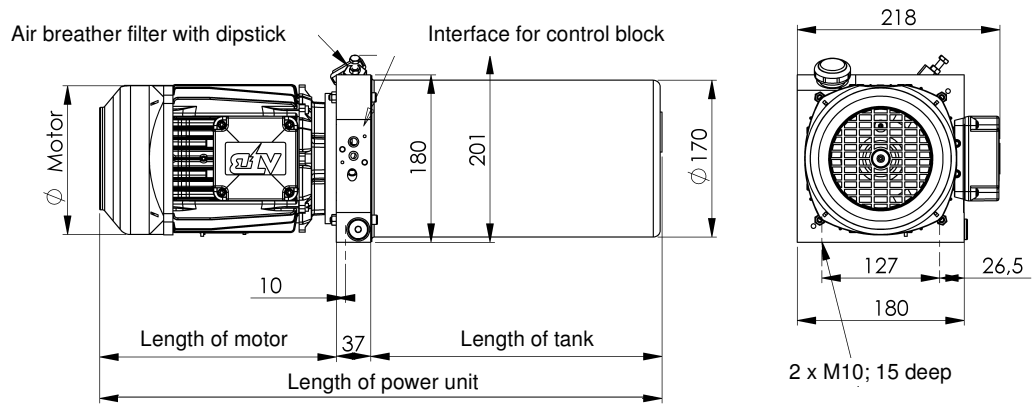


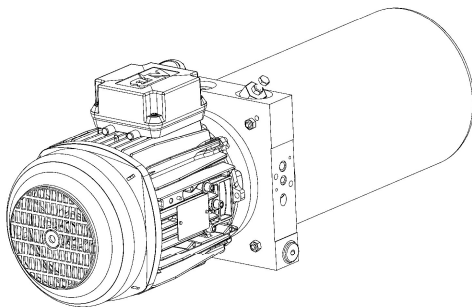
Table 1 Tank size

Tank Code	Nominal Volume [l]	Length of Tank [mm]	Filling Volume[l]	Usable Volume[l]
R 04	4	162	2,5	2,0
R 07	7	312	5,7	4,7
R 10	10	440	8,4	7,0
R 12	12	550	10,8	9,0
R 14	14	630	13,0	11,0
R 18	18	830	16,6	14,0
S 22	22	560	19,0	14,5

Motor Output [KW]	Number of Poles	Length of Motor [mm]
0,37	4	209,5
0,55	4	220
0,75	4	220
1,1	4	255
1,5	4	279,5
2,2	2	255
2,2	4	279,5
3,0	2	279,5
4,0	2	303
5,5	2	303

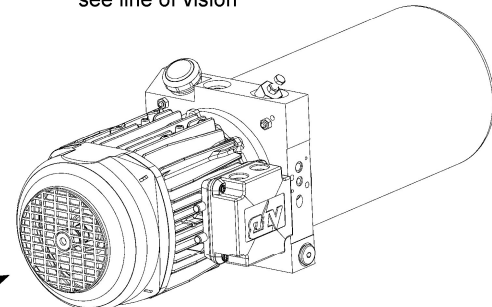
Drawing 3 Position of terminal box

T ... Terminal box on top



R ... Terminal box on right side

see line of vision



Line of vision

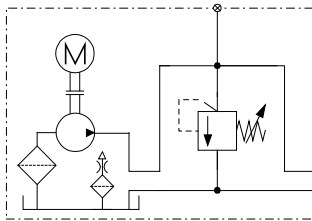
Table 2 Flow rate code / max. operating pressure

Flow rate				Motor power 3~ 03 (50 Hz)									1~ 63 (50Hz)
50 Hz [l/min]	60Hz [l/min]	Pol.	Vg [ccm/U]	0,37 kW	0,55 kW	0,75 kW	1,1 kW	1,5 kW	2,2 kW	3 kW	4 kW	5,5 kW	1,1 kW
<u>01.3</u>	01.6	4	1	<u>215</u>	<u>250</u>								<u>250</u>
<u>02.4</u>	02.9	4	1,9	<u>110</u>	<u>170</u>	<u>235</u>	<u>250</u>						<u>250</u>
<u>03.7</u>	04.4	4	2,8	<u>75</u>	<u>115</u>	<u>155</u>	<u>230</u>	<u>250</u>					<u>185</u>
<u>05.0</u>	06.0	4	3,8	<u>50</u>	<u>85</u>	<u>115</u>	<u>170</u>	<u>230</u>	<u>250</u>				<u>135</u>
<u>06.3</u>	07.6	4	4,7	<u>40</u>	<u>70</u>	<u>90</u>	<u>140</u>	<u>185</u>	<u>250</u>				<u>105</u>
<u>07.4</u>	08.9	2	2,8						<u>230</u>	<u>250</u>			
<u>08.6</u>	10.3	4	6,5	<u>30</u>	<u>50</u>	<u>65</u>	<u>100</u>	<u>130</u>	<u>200</u>				<u>75</u>
<u>10.0</u>	12.0	2	3,8							<u>230</u>	<u>250</u>		
<u>10.2</u>	12.0	4	7,6		<u>40</u>	<u>50</u>	<u>80</u>	<u>110</u>	<u>165</u>				<u>65</u>
<u>12.6</u>	15.1	2	4,7						<u>135</u>	<u>185</u>	<u>250</u>		
<u>13.3</u>	16.0	4	10		<u>30</u>	<u>40</u>	<u>60</u>	<u>85</u>	<u>120</u>				<u>50</u>
<u>16.0</u>	19.2	4	12			<u>30</u>	<u>50</u>	<u>70</u>	<u>100</u>				<u>40</u>
<u>17.3</u>	20.7	2	6,5						<u>95</u>	<u>130</u>	<u>175</u>	<u>200</u>	
<u>20.0</u>		2	7,6						<u>80</u>	<u>110</u>	<u>150</u>	<u>200</u>	
				Operating pressure [bar] (for 50Hz and 60Hz)									

Motors with 4 poles with lower noise level

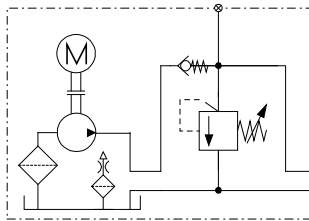
Drawing 4 Flange type

Flange type 20X



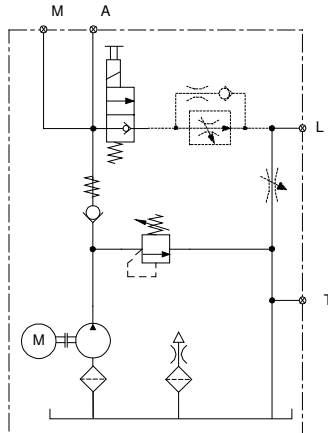
Example :
CO2R10HT08.6-65-03-20X

Flange type 22X



Example :
CO2R07HT01.3-250-63-22X

Flange type 99X
with integrated lift/lower-control



Example
CO2R07VR02.4-250-03-99X+HSSZ+W230-Z4-N

Flange type 32X
with CETOP valve

