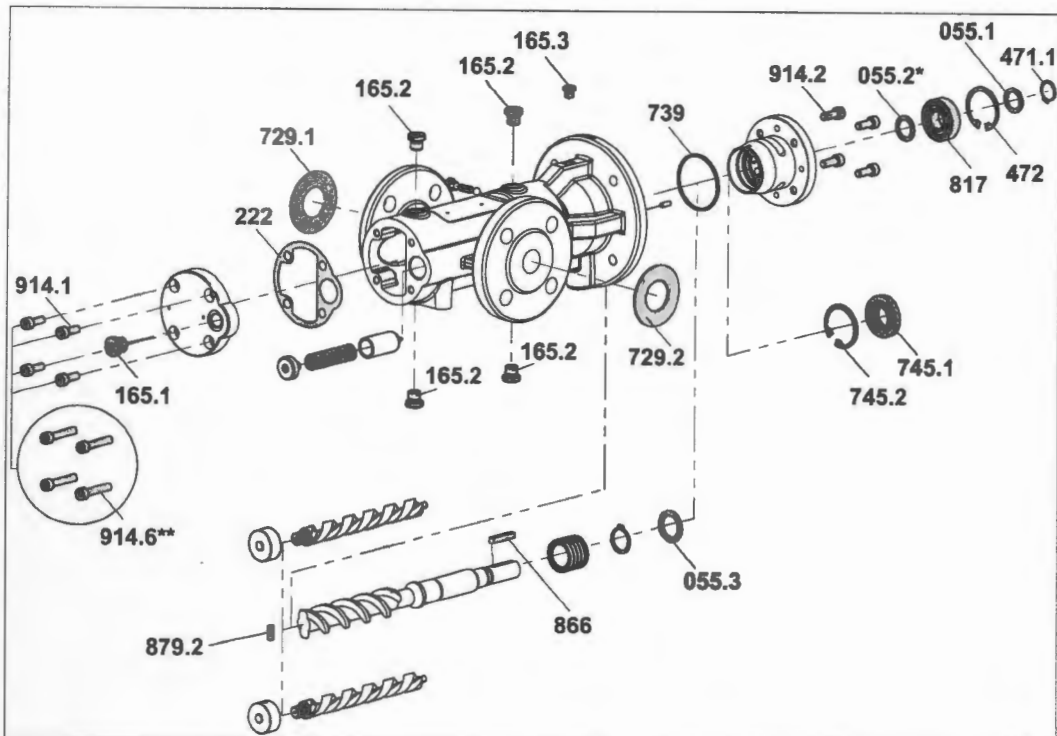
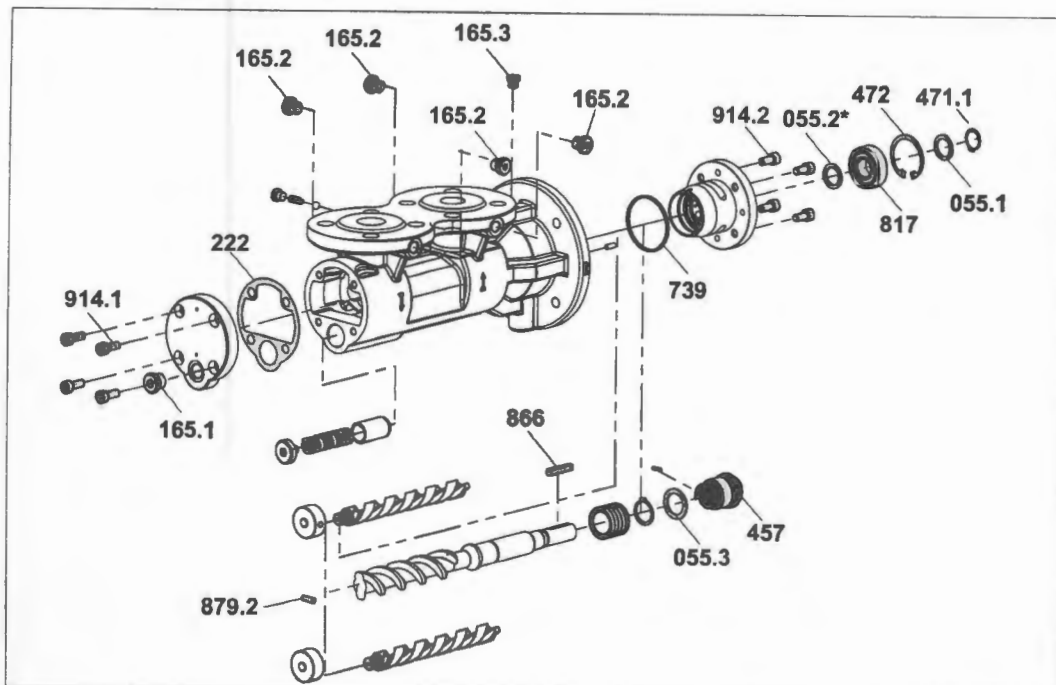


Maintenance kit radial shaft seal – LFI/LVI/LFT/LVT/LFM models



Qty.	Pos. no.	Part	Qty.	Pos. no.	Part
1	055.1	Supporting ring	1	745.1	Radial seal ring
1	055.2*	Supporting ring	1	745.2	Circlip
1	055.3	Supporting ring	1	739	O-ring
1	165.1	Screw plug	1	817	Ball bearing
4	165.2	Screw plug	1	866	Feather key
1	165.3	Screw plug	1	879.2	Straight pin
1	222	Flat gasket	4	914.1	Socket screw
1	471.1	Circlip	4	914.2	Socket screw
1	472	Circlip	4	914.6**	Socket screw
1	729.1	Flat gasket, suction flange	1		Molybdenum disulphide paste 15g
1	729.2	Flat gasket, pressure flange			
*	not for Sizes 32 – 54		**	for LVI/LVT models: Replacement for 914.1	

Maintenance kit mechanical seal – LFW model



Qty.	Pos. no.	Part	Qty.	Pos. no.	Part
1	055.1	Supporting ring	1	472	Circlip
1	055.2*	Supporting ring	1	739	O-ring
1	055.3	Supporting ring	1	817	Ball bearing
1	165.1	Screw plug	1	866	Feather key
4	165.2	Screw plug	1	879.2	Straight pin
1	165.3	Screw plug	4	914.1	Socket screw
1	222	Flat gasket	4	914.2	Socket screw
1	457	Mechanical seal	1		Silicone grease 1 g
1	471.1	Circlip	*		not for Sizes 32 – 54

Repair kits

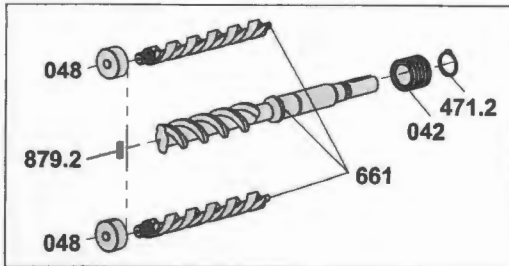


Notice: The repair kits contain only the numbered parts and are only supplied complete.

Repair kit, screw set

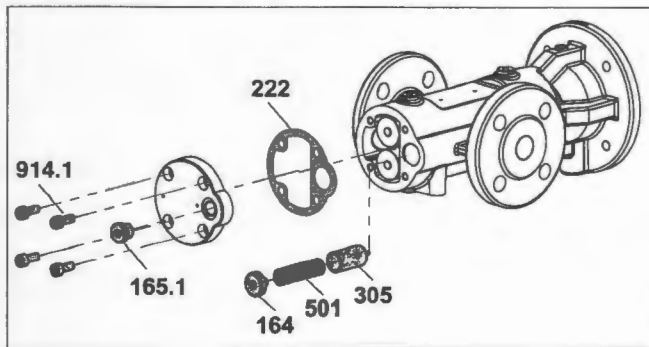


Notice: The repair kit, screw set is only supplied in combination with a maintenance kit.



Qty.	Pos. no.	Part
1	042	Balancing cylinder
2	048	Balancing bush
1	471.2	Circlip
1	661	Screw set
1	879.2	Straight pin

Repair kit, overflow valve



Qty.	Pos. no.	Part
1	164	Adjusting screw
1	165.1	Screw plug
1	222	Flat gasket
1	305	Valve body
1	501	Spring
4	914.1	Socket screw

Completions

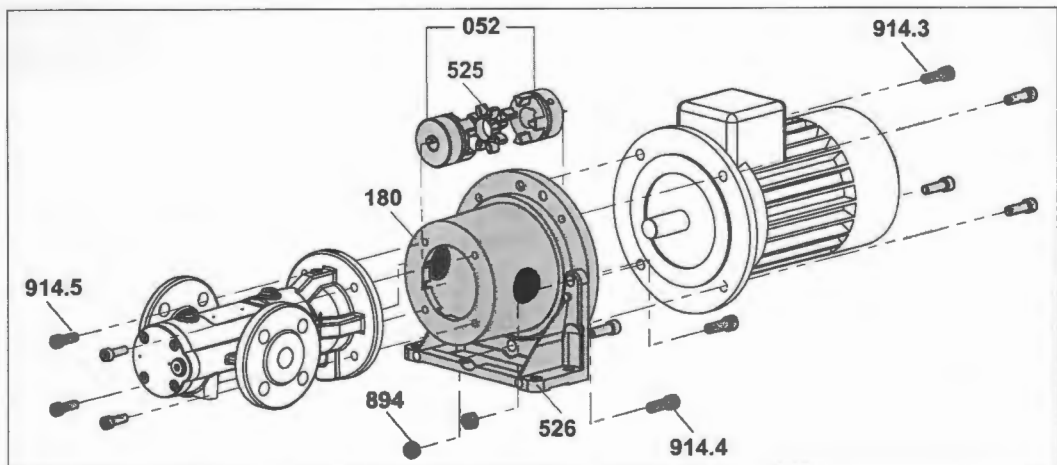


Fig. 1 Completion – LFI/LFT/LFM/LFW models