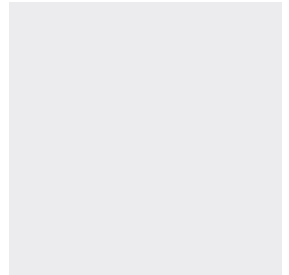
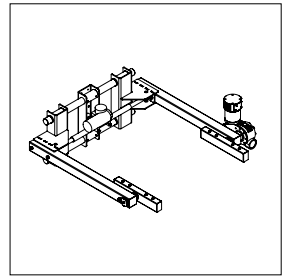
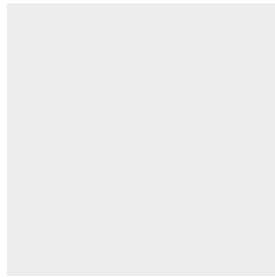
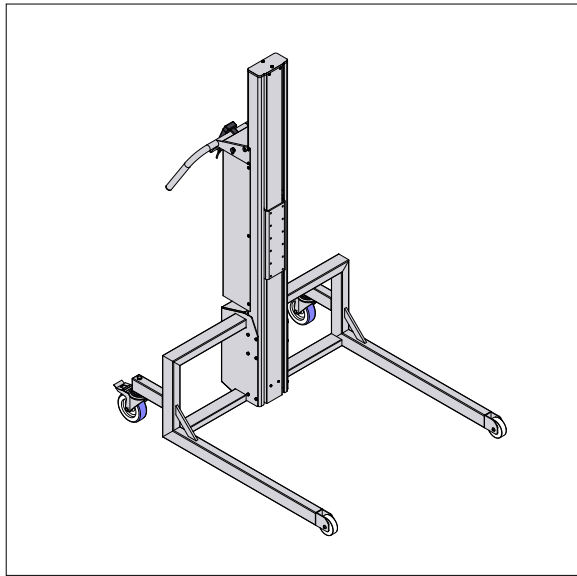
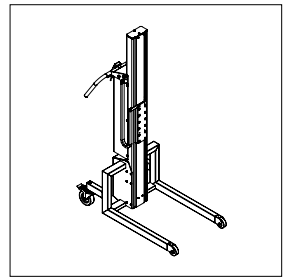
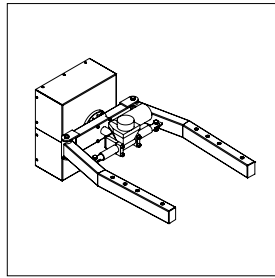
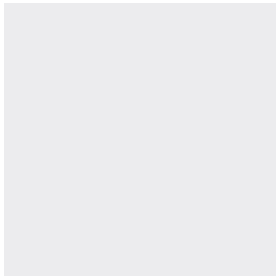
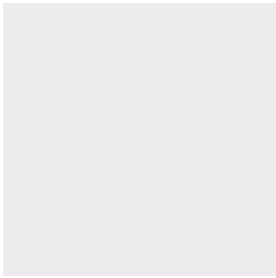


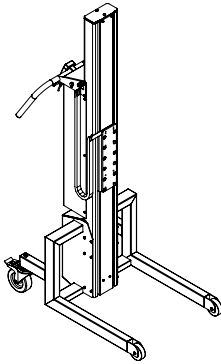
INOX 200 LIFTERS & TOOLS

- DRAWINGS & MEASUREMENTS

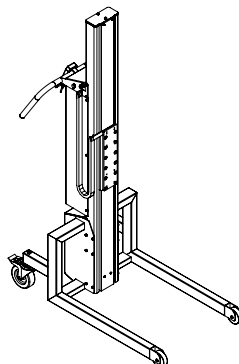


INOX 200

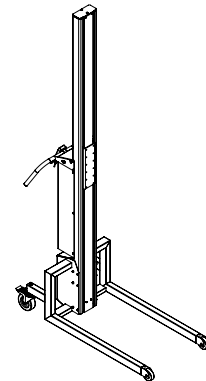
3 MAST HEIGHTS AND 6 LEG/WHEEL OPTIONS



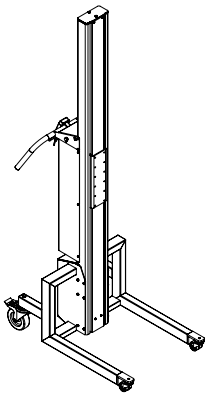
INOX 200 L/M/H Leg 1



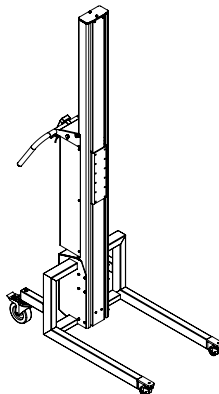
INOX 200 L/M/H Leg 2



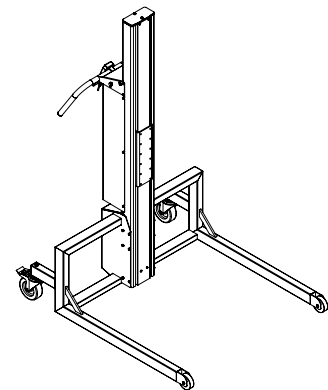
INOX 200 L/M/H Leg 3



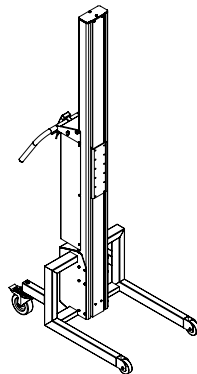
INOX 200 L/M/H Leg 4



INOX 200 L/M/H Leg 5



INOX 200 L/M/H Leg 6

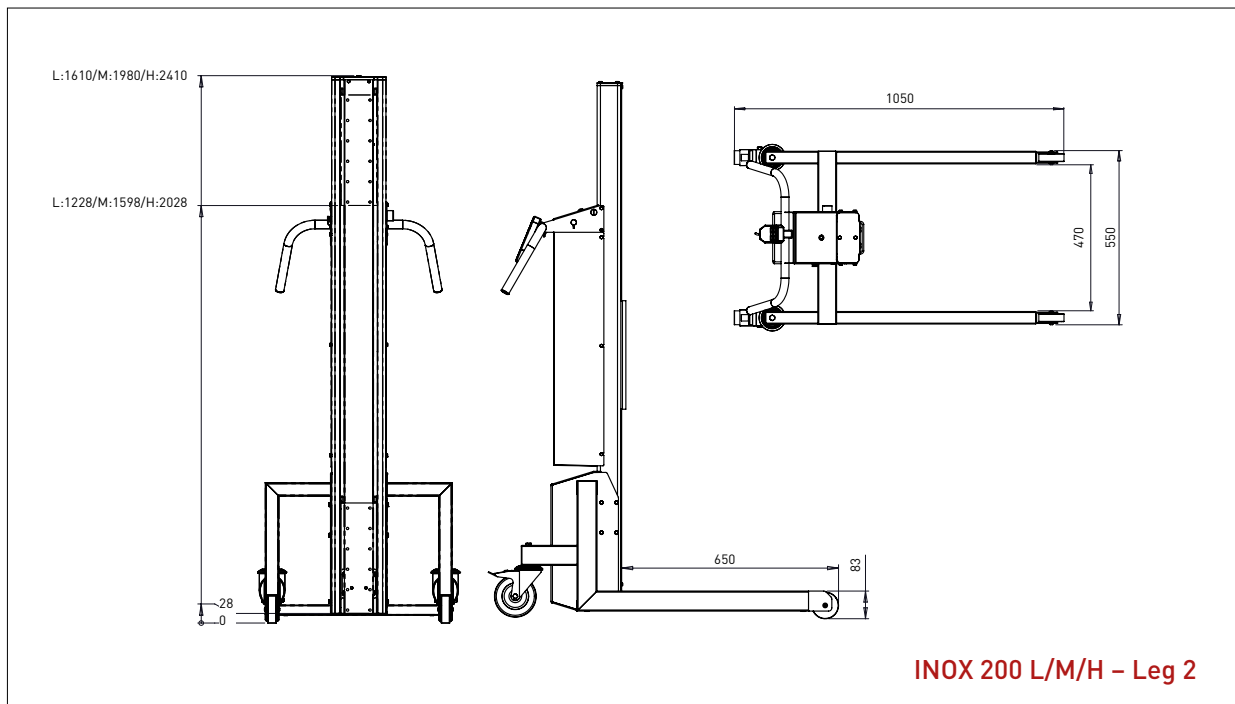
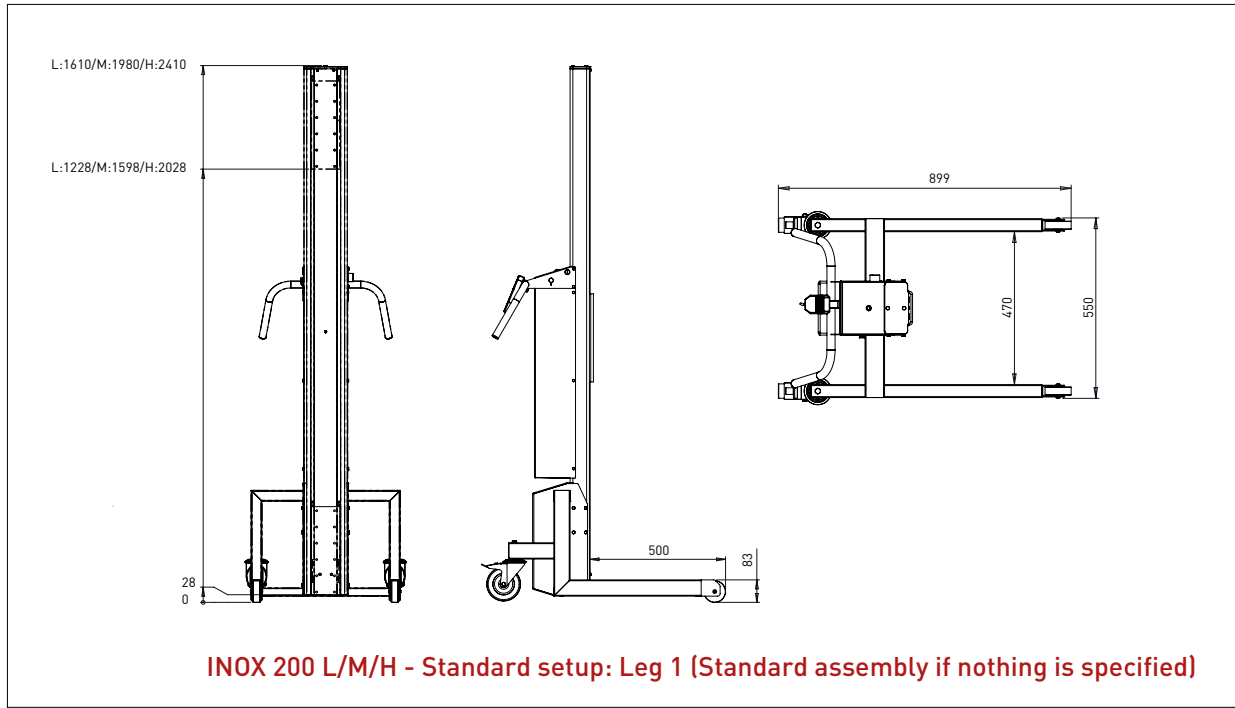


INOX 200 L/M/H3

INOX 200

LIFTERS - DRAWINGS & MEASUREMENTS

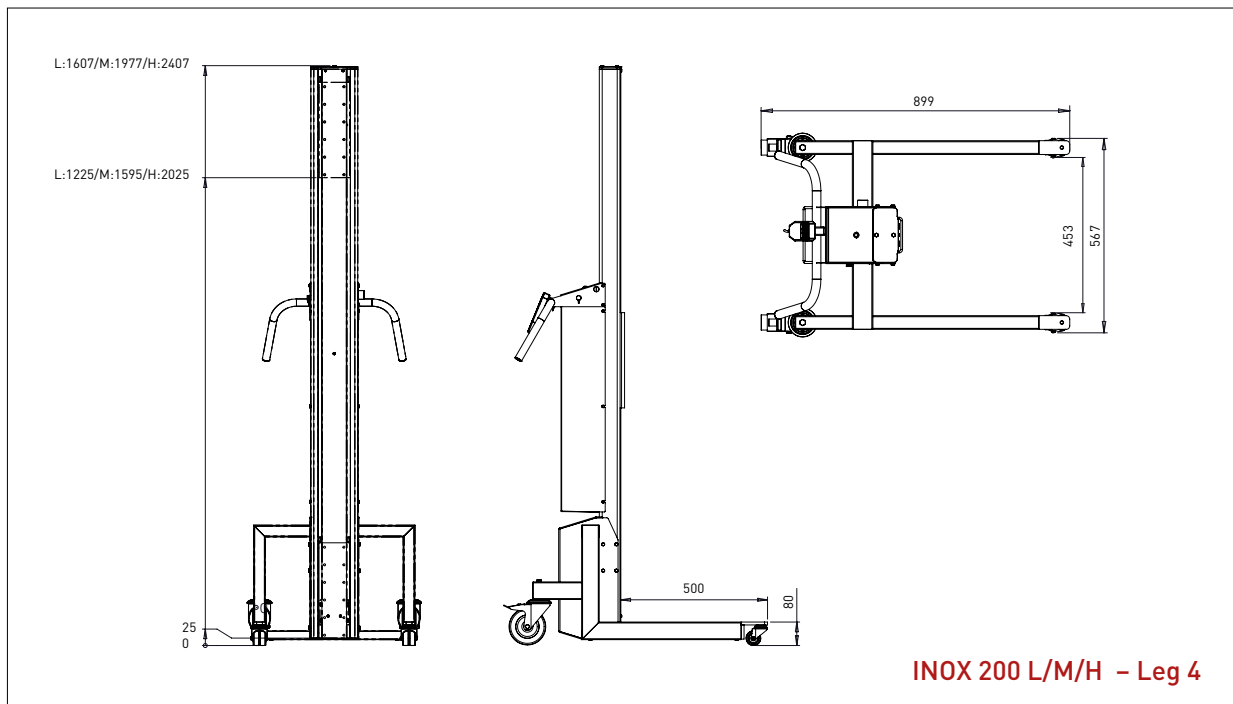
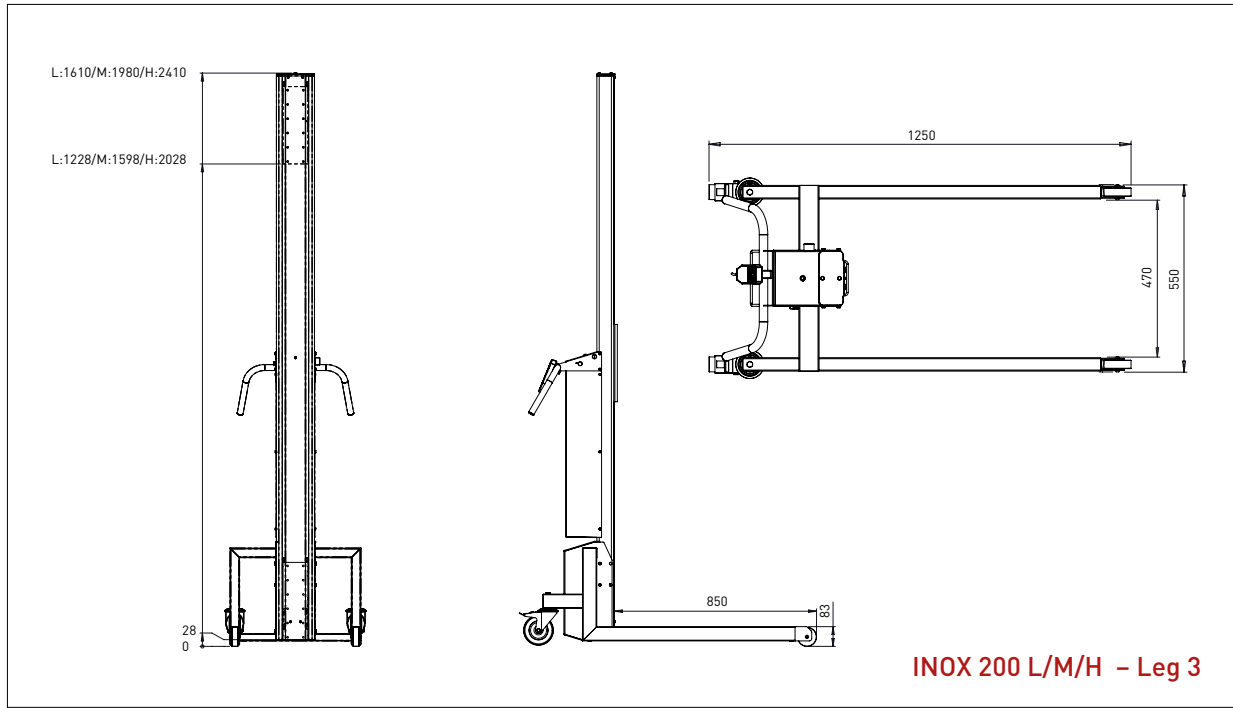
- All measurements in mm



INOX 200

LIFTERS - DRAWINGS & MEASUREMENTS

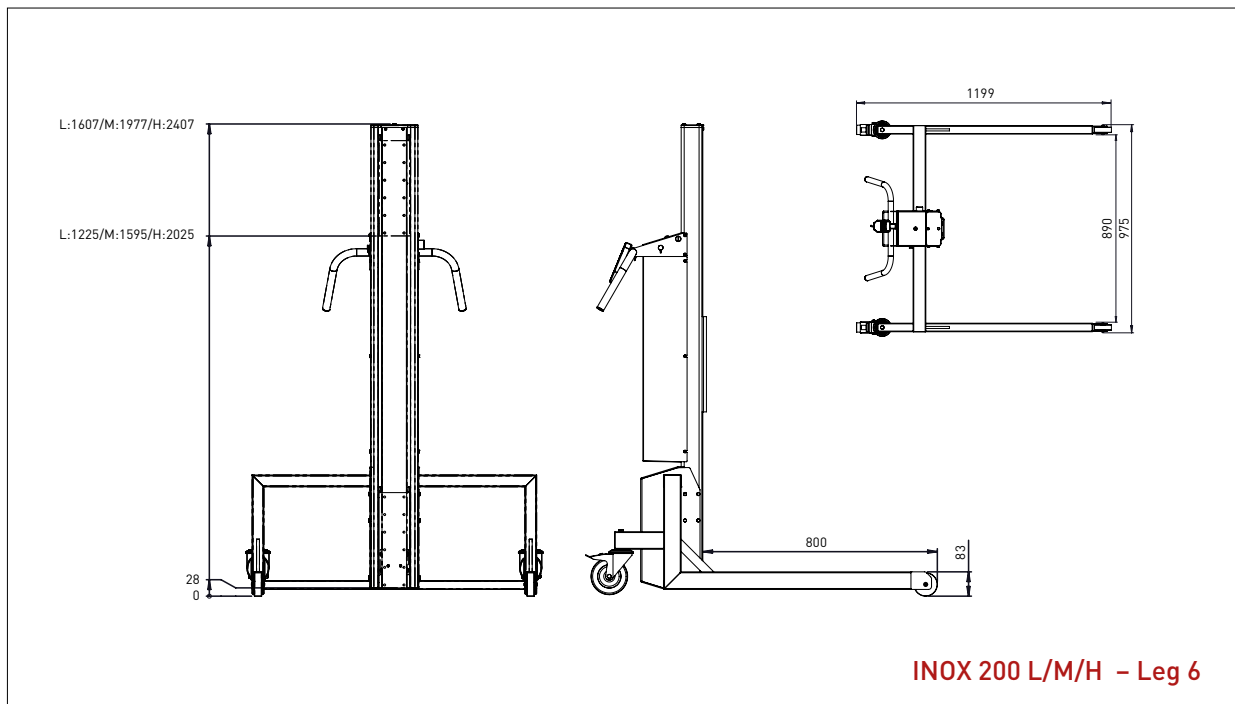
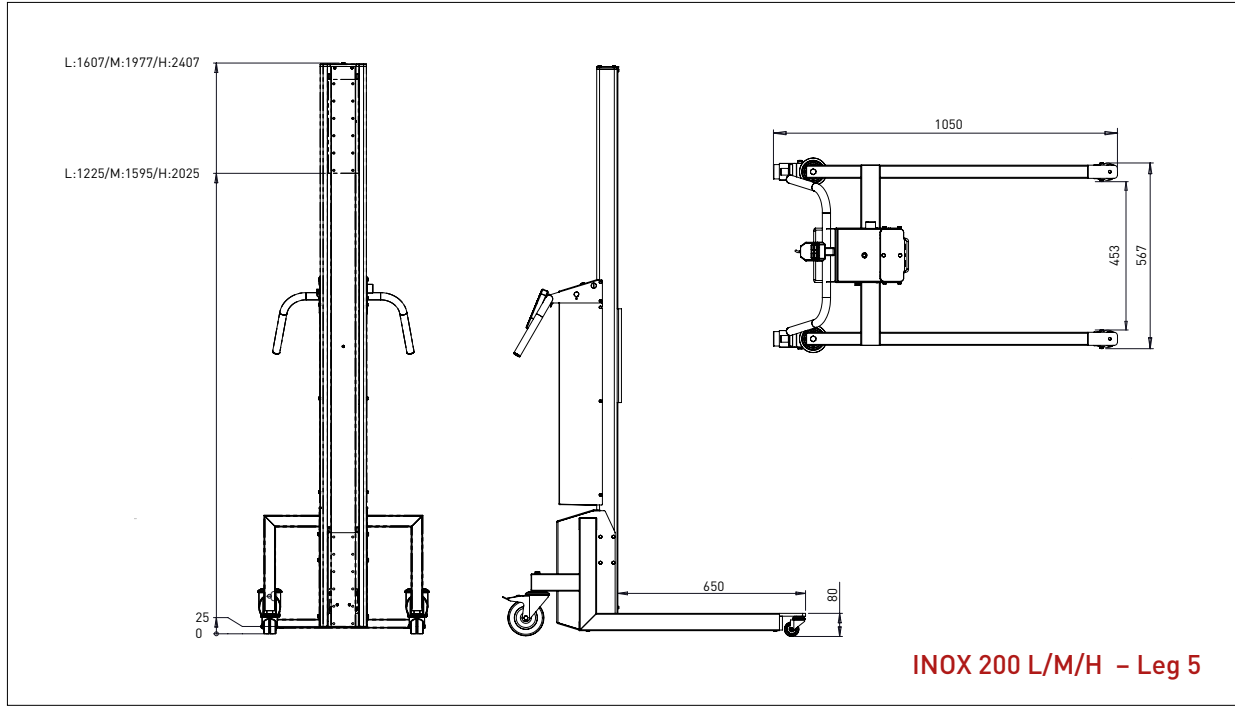
- All measurements in mm



INOX 200

LIFTERS - DRAWINGS & MEASUREMENTS

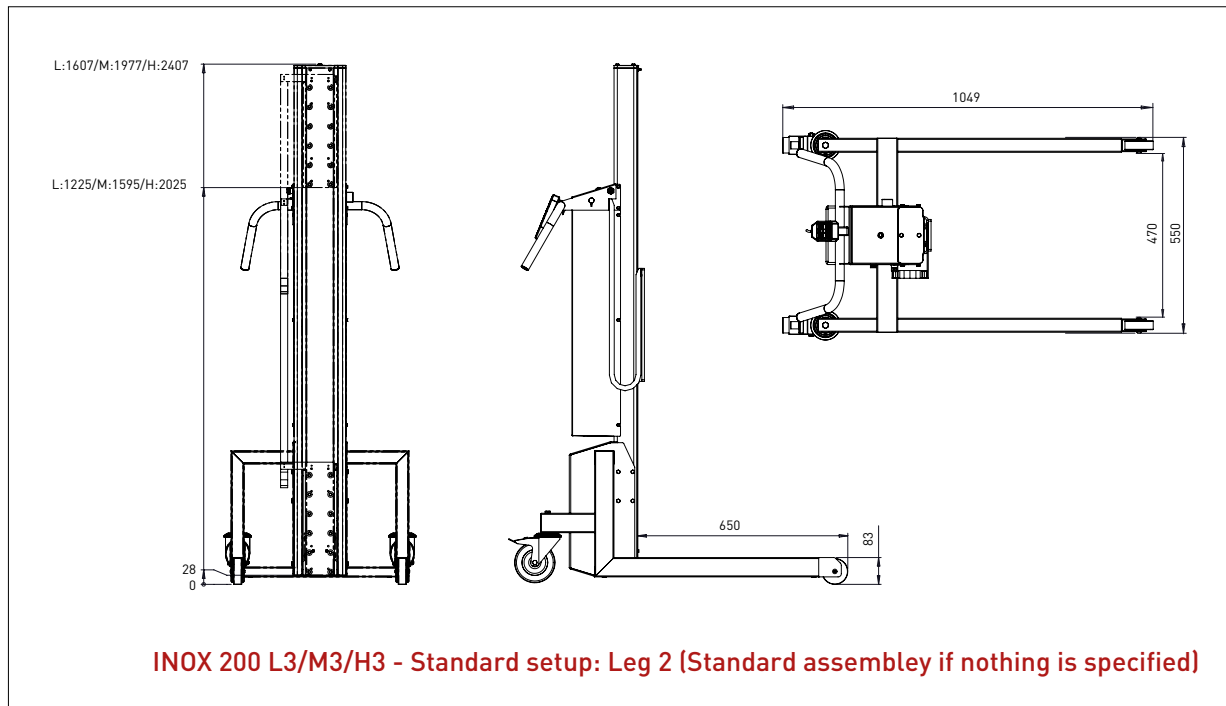
- All measurements in mm



INOX 200 FOR ELECTRIC TOOLS

LIFTERS - DRAWINGS & MEASUREMENTS

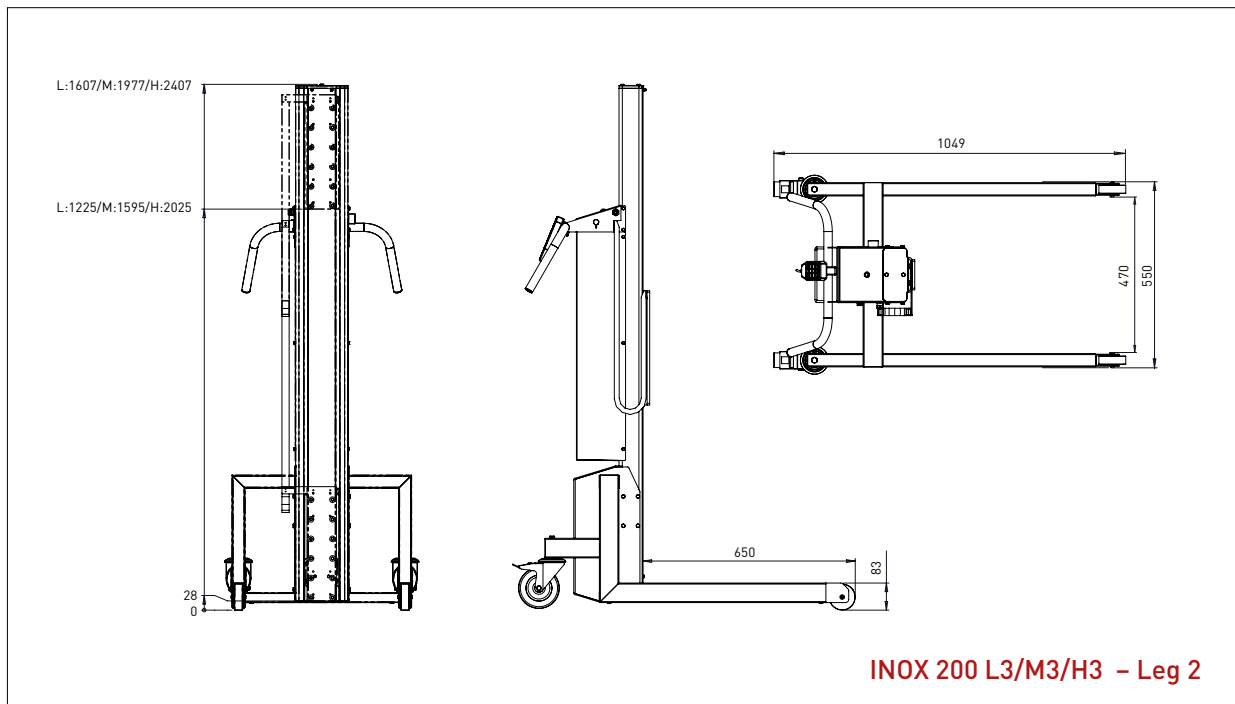
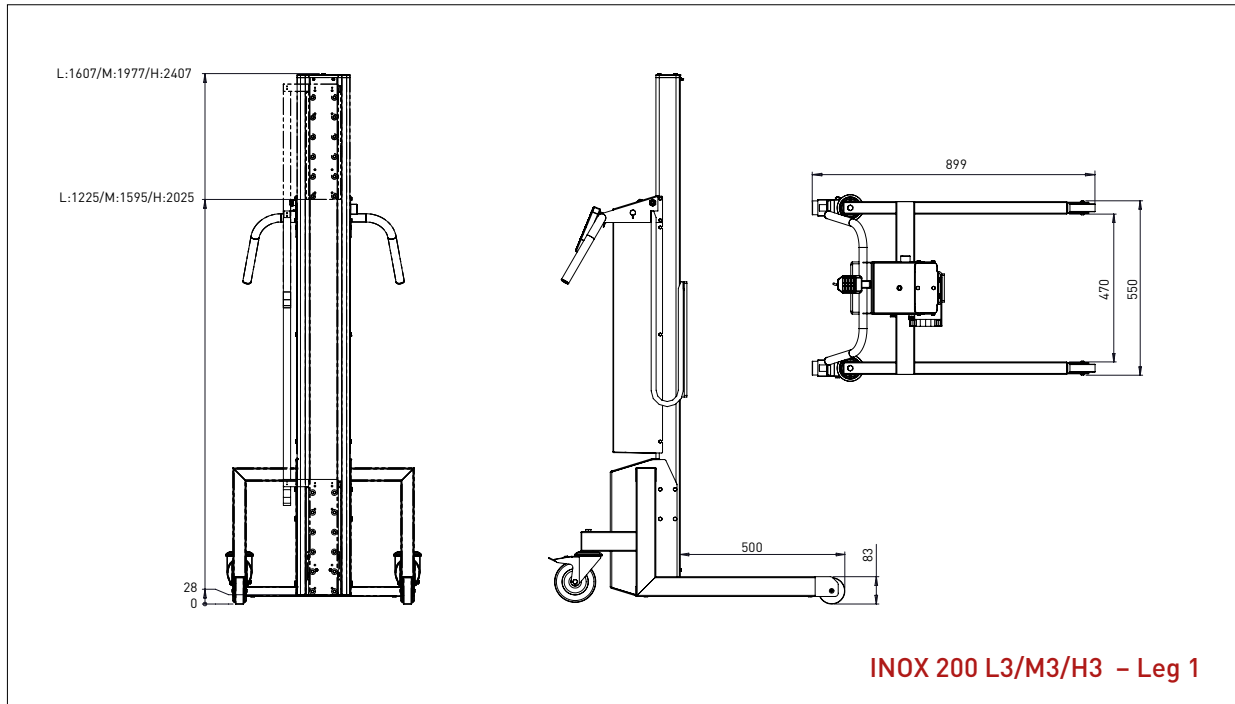
- All measurements in mm



INOX 200 FOR ELECTRIC TOOLS

LIFTERS - DRAWINGS & MEASUREMENTS

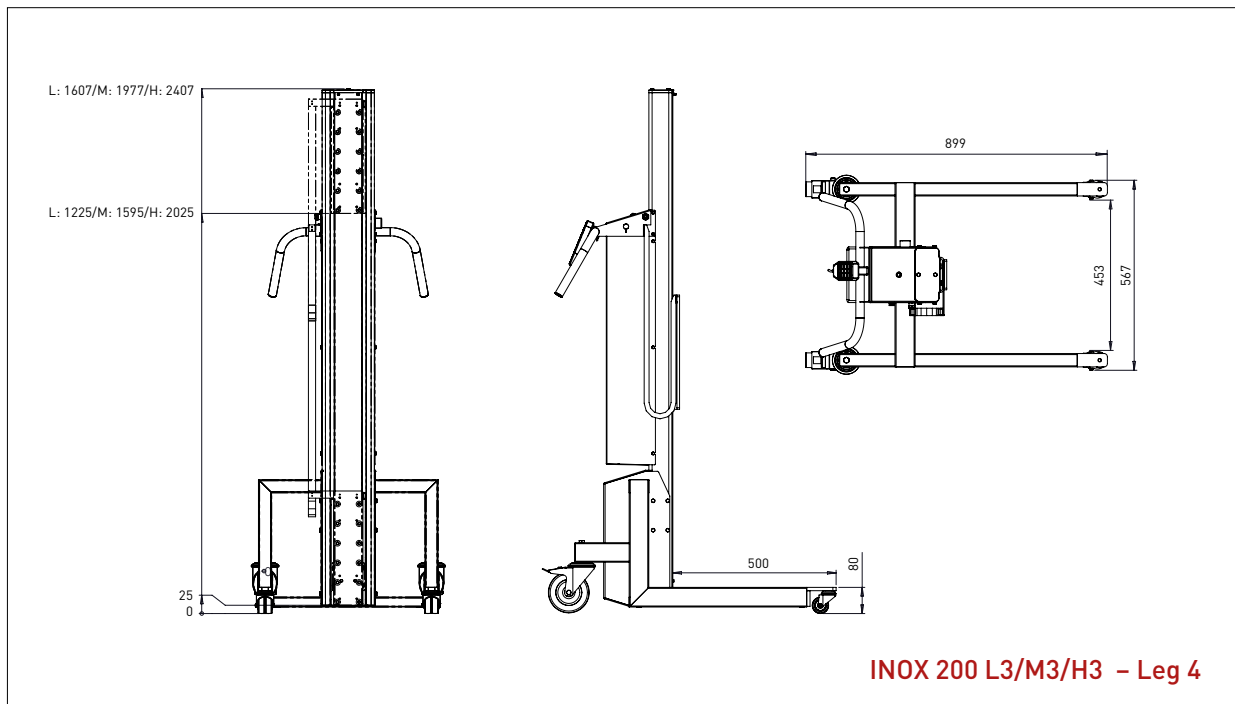
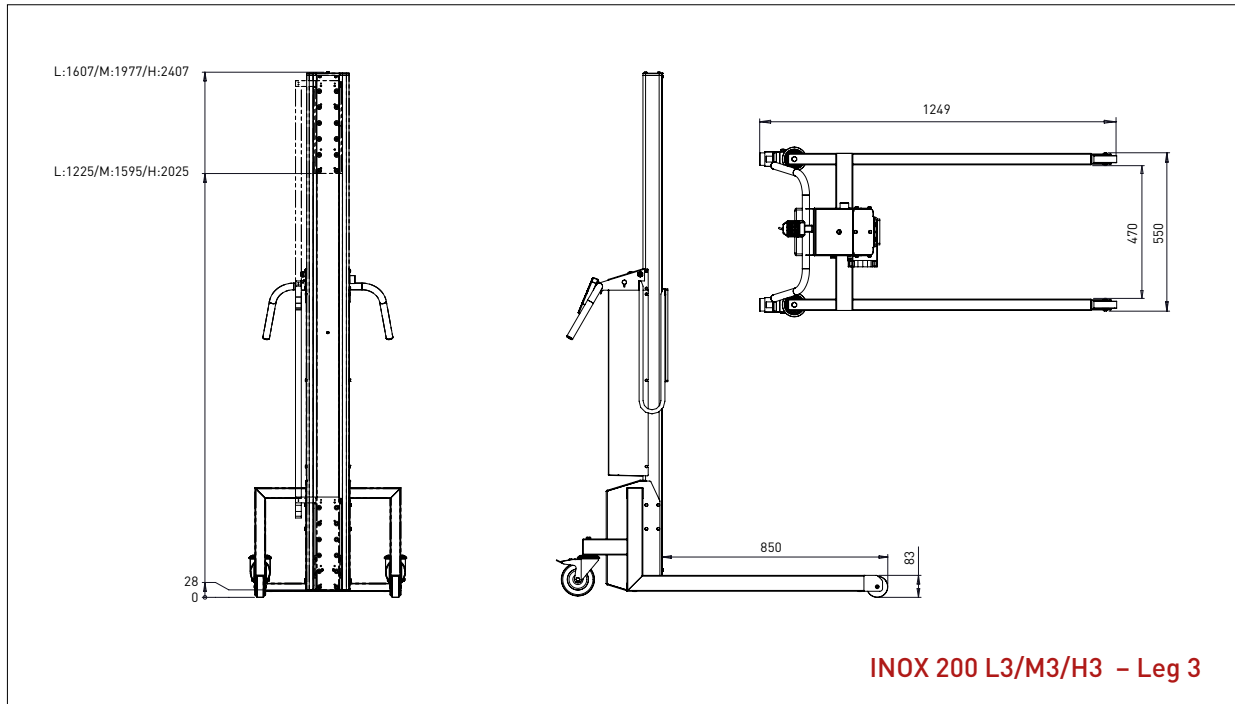
- All measurements in mm



INOX 200 FOR ELECTRIC TOOLS

LIFTERS - DRAWINGS & MEASUREMENTS

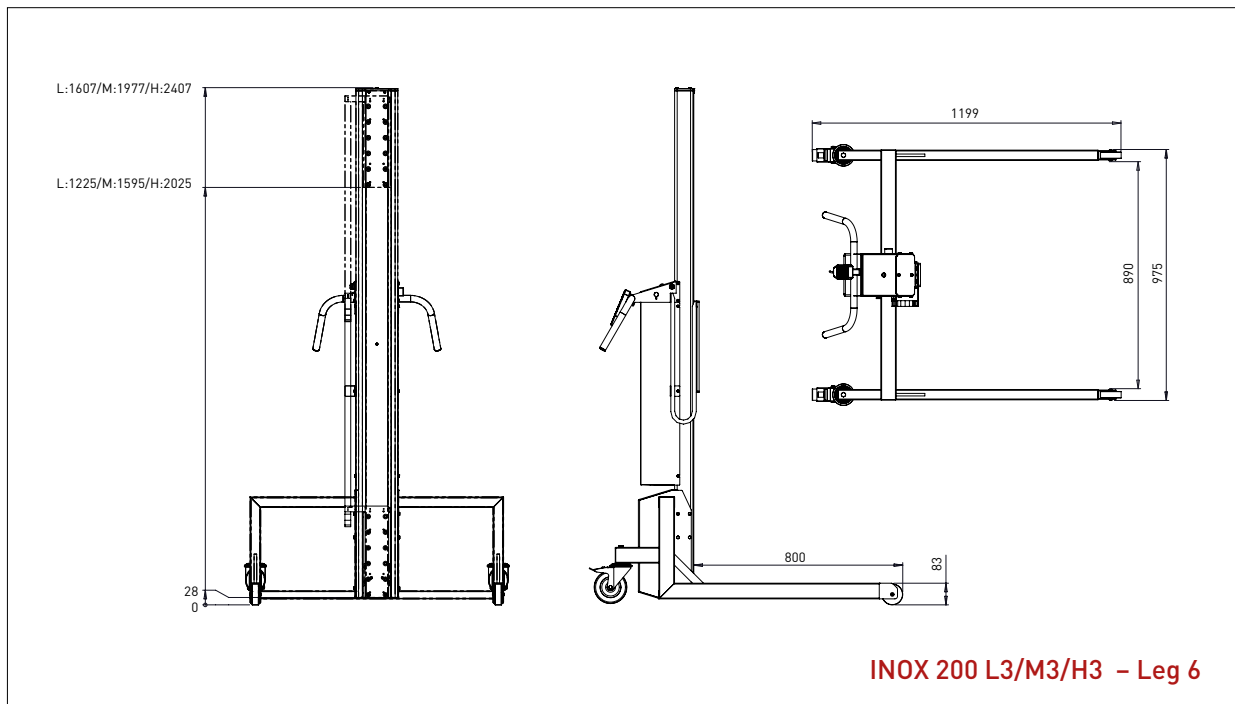
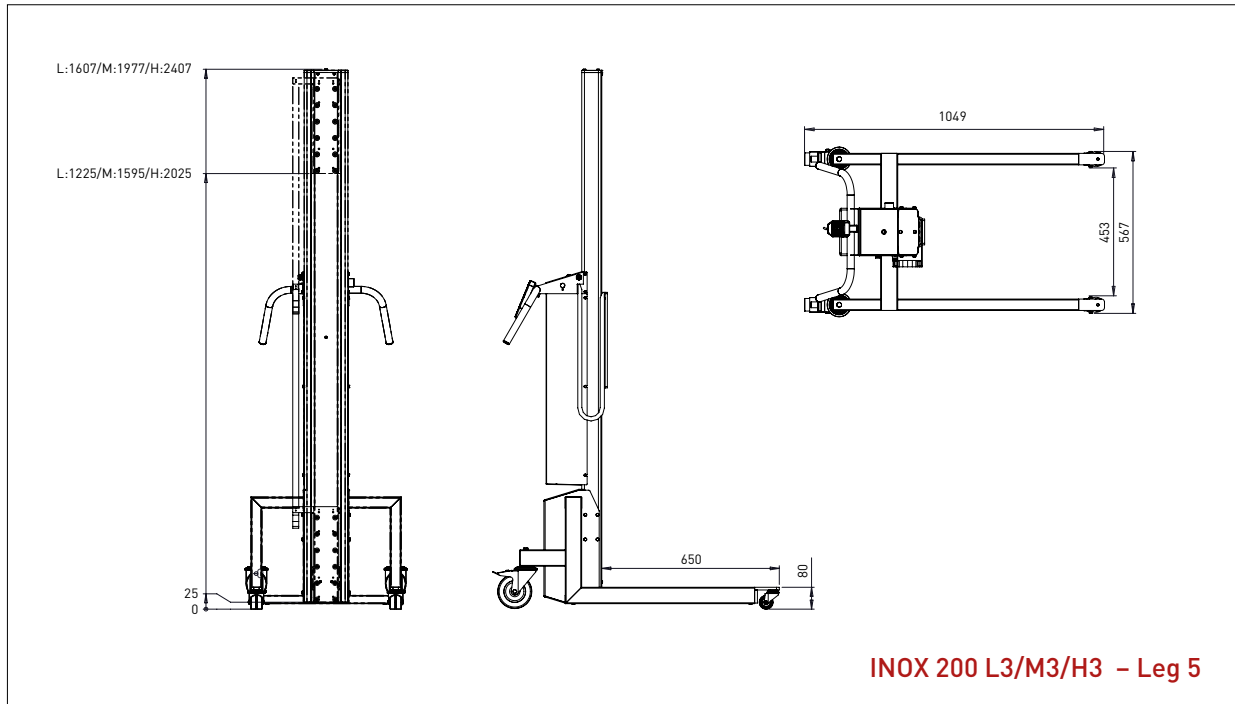
- All measurements in mm



INOX 200 FOR ELECTRIC TOOLS

LIFTERS - DRAWINGS & MEASUREMENTS

- All measurements in mm



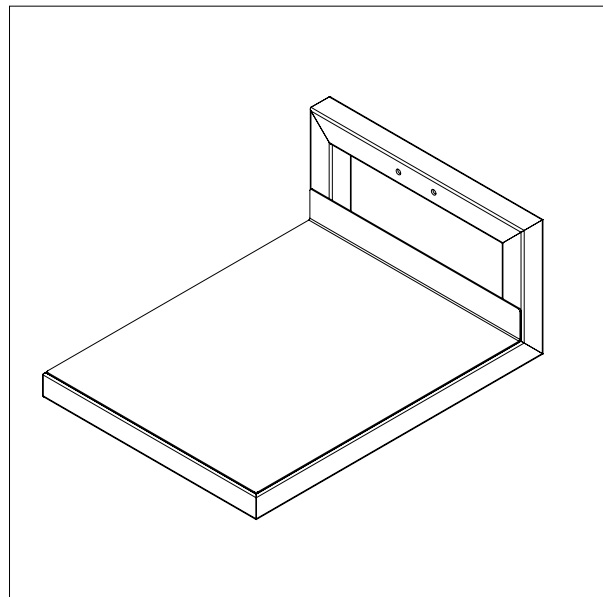
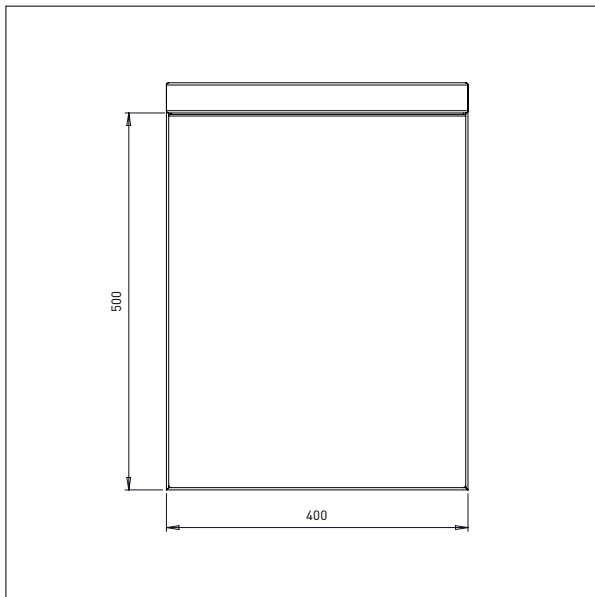
INOX 200 / TOOLS

PLATFORMS STAINLESS

- All measurements in mm

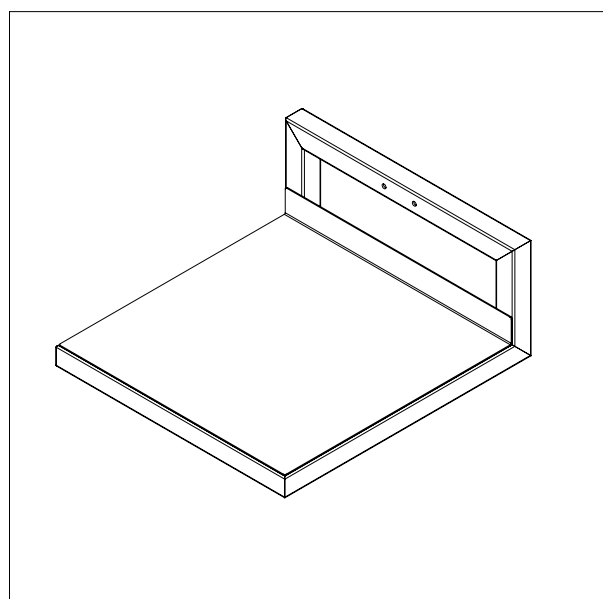
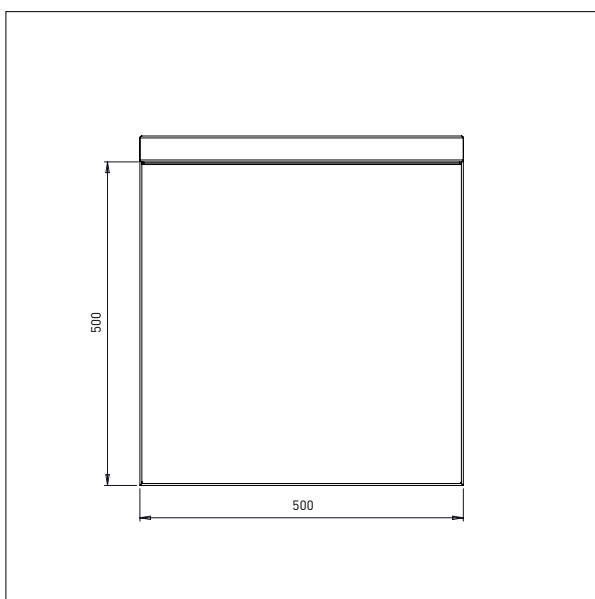
PLATFORM STAINLESS – EP3

L x W: 500 x 400 mm



PLATFORM STAINLESS – EP4

L x W: 500 x 500 mm



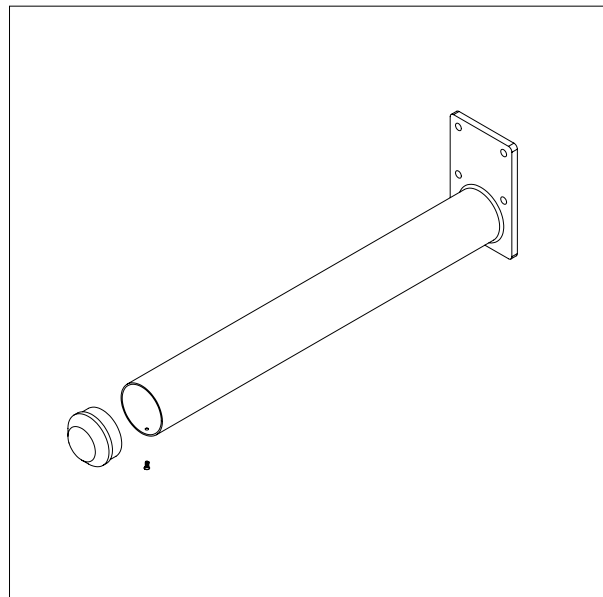
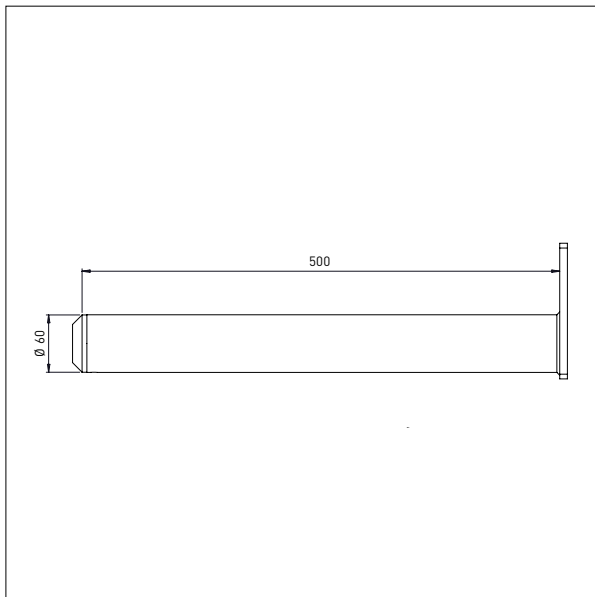
INOX 200 / TOOLS

BOOMS

- All measurements in mm

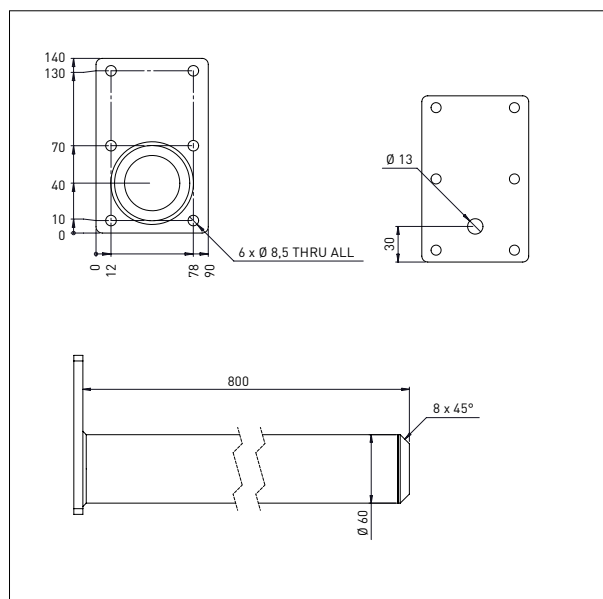
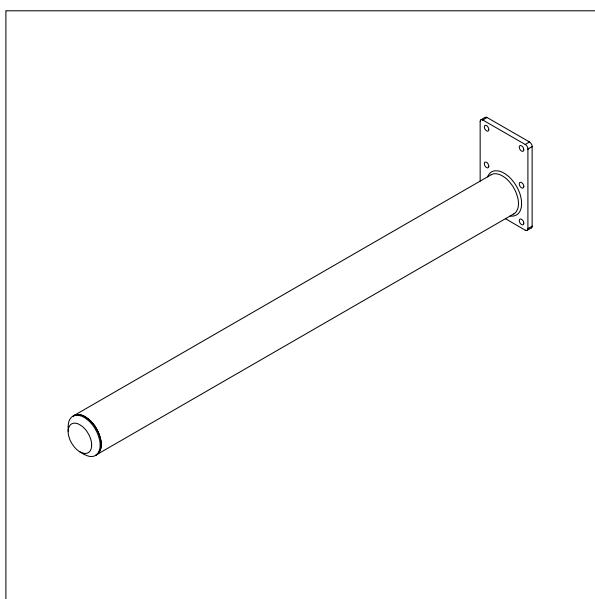
BOOM - D3

Ø x L: 60 x 500 mm



BOOM - D4

Ø x L: 60 x 800 mm



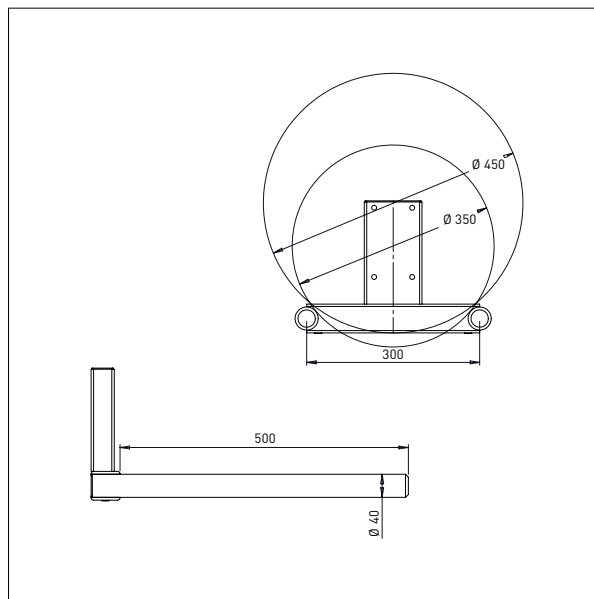
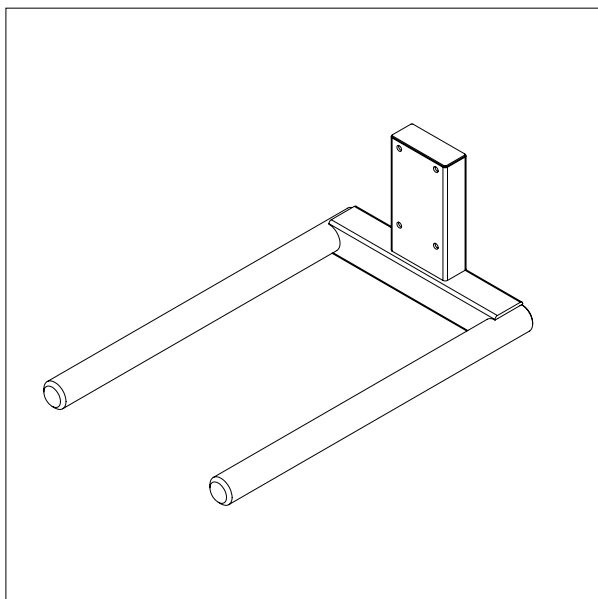
INOX 200 / TOOLS

DOUBLE BOOMS

- All measurements in mm

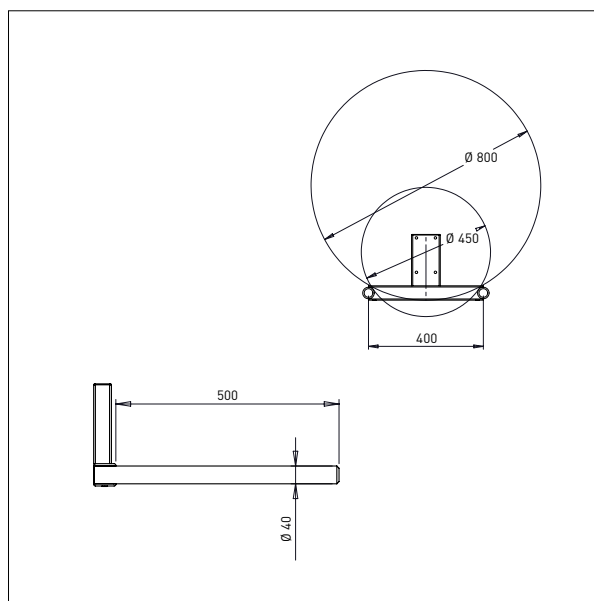
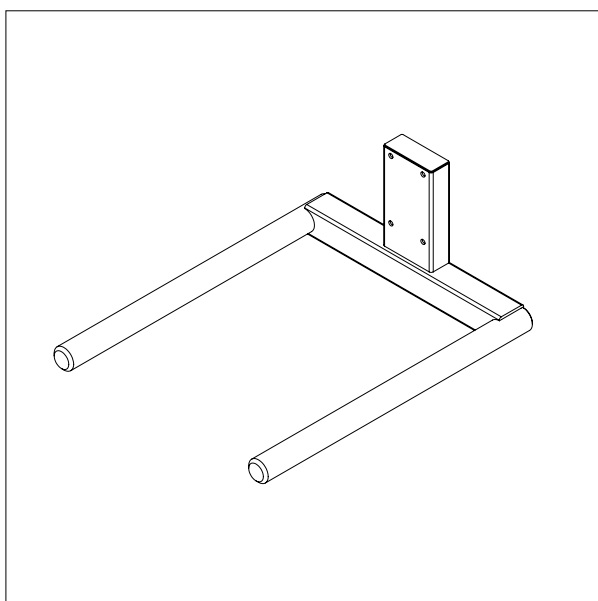
DOUBLE BOOM – DD3

Ø x L x W: 40 x 500 x 300 mm



DOUBLE BOOM – DD4

Ø x L x W: 40 x 500 x 400 mm



INOX 200 / TOOLS

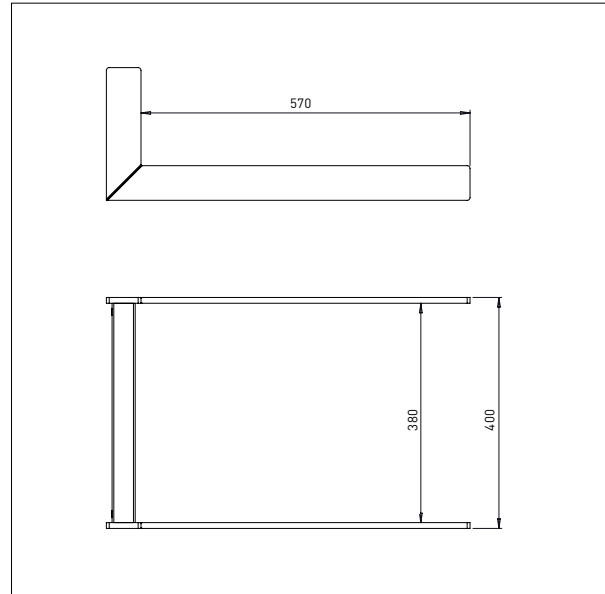
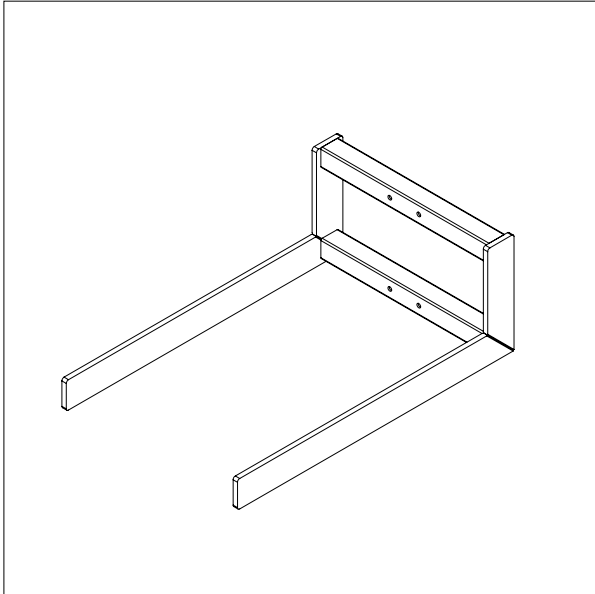
FORKS

- All measurements in mm

FORK - G3

L x W: 570 x 400 mm

For 600 x 400 mm boxes



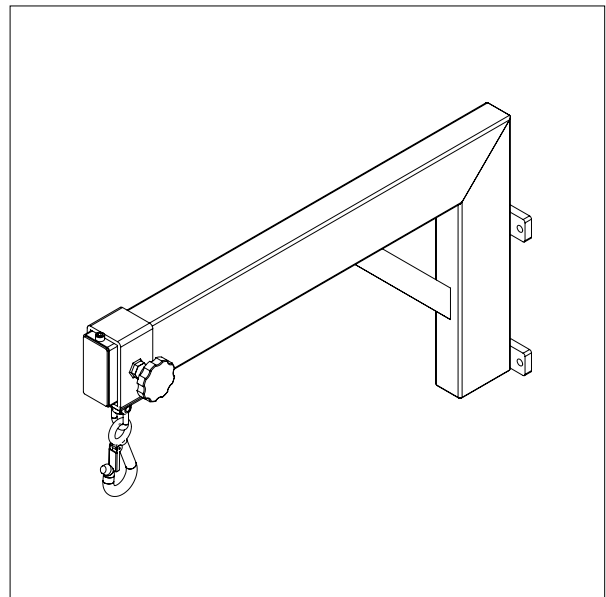
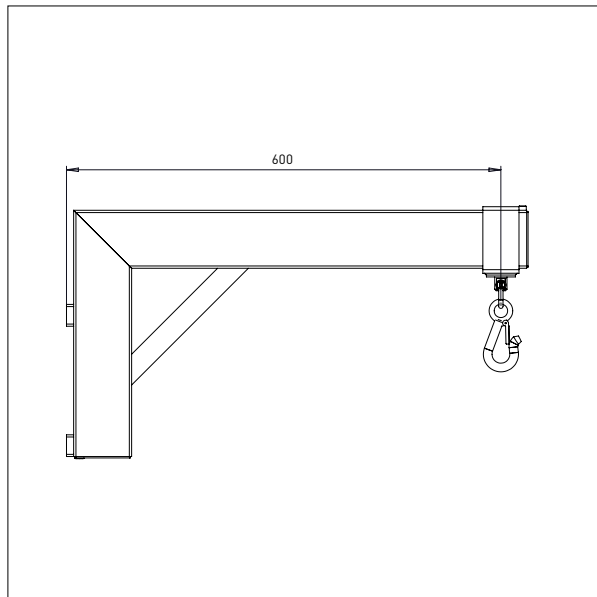
INOX 200 / TOOLS

CRANE ARMS

- All measurements in mm

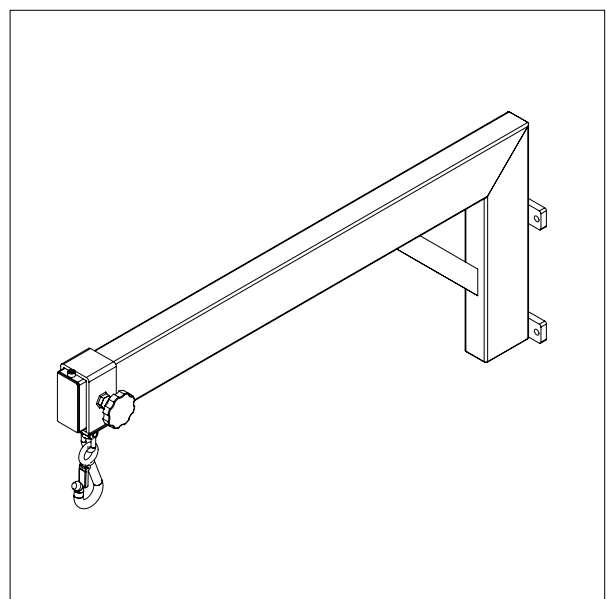
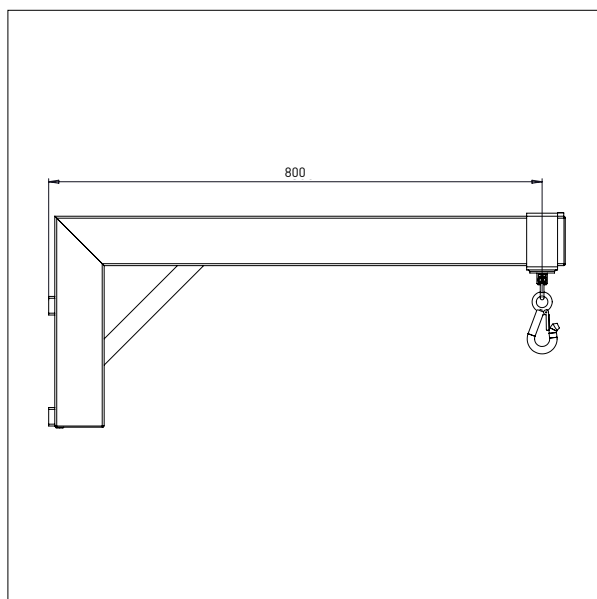
CRANE ARM - KA3

L: 600



CRANE ARM - KA4

L: 800

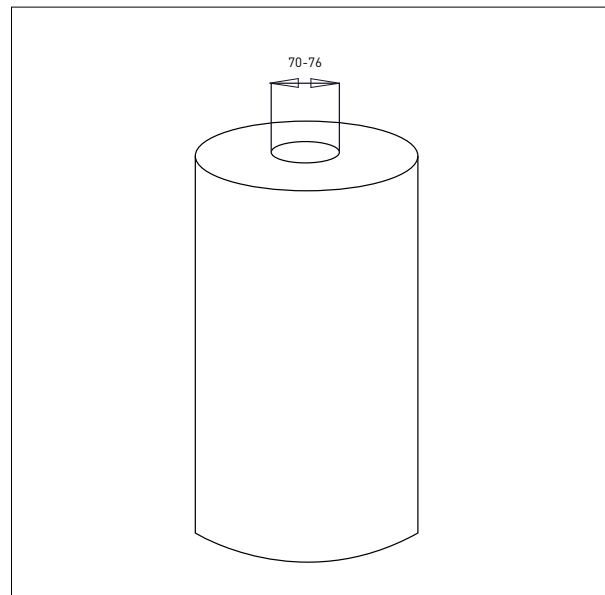
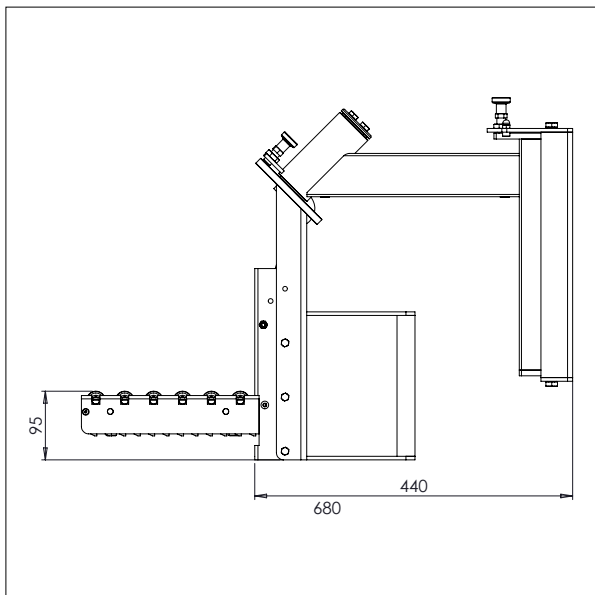
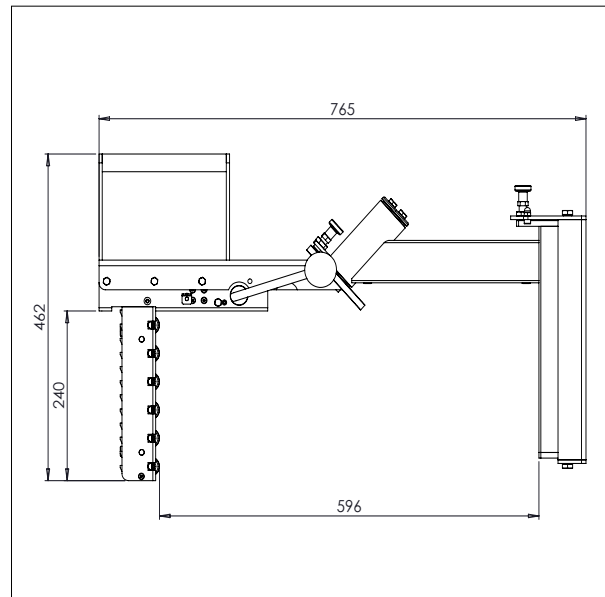
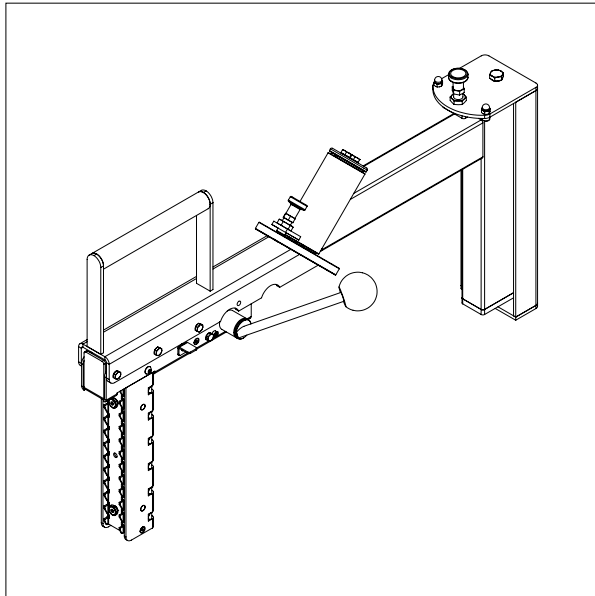


INOX 200 / TOOLS

REEL MANIPULATOR

- All measurements in mm

REEL MANIPULATOR - MRP2



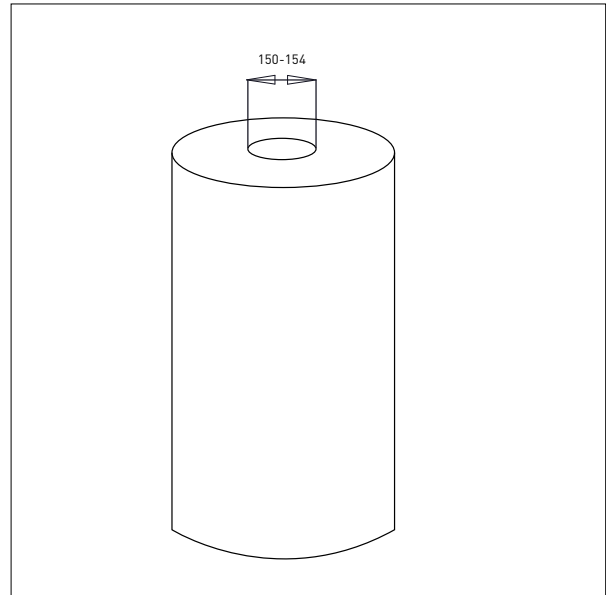
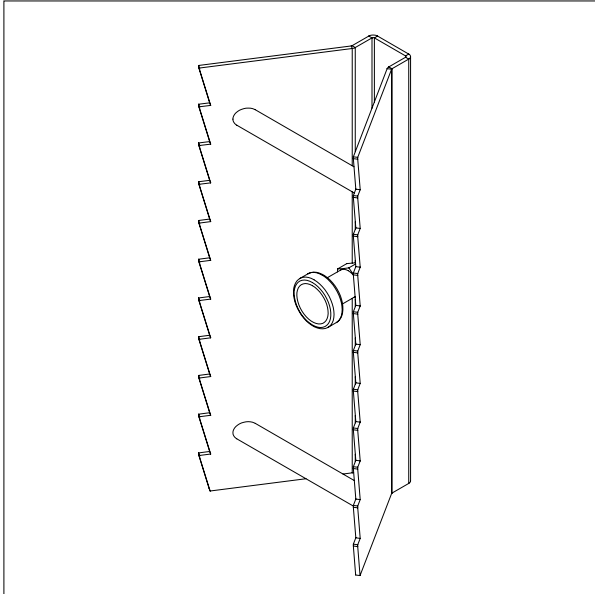
INOX 200 / TOOLS

MANDRIL ENLARGERS

- All measurements in mm

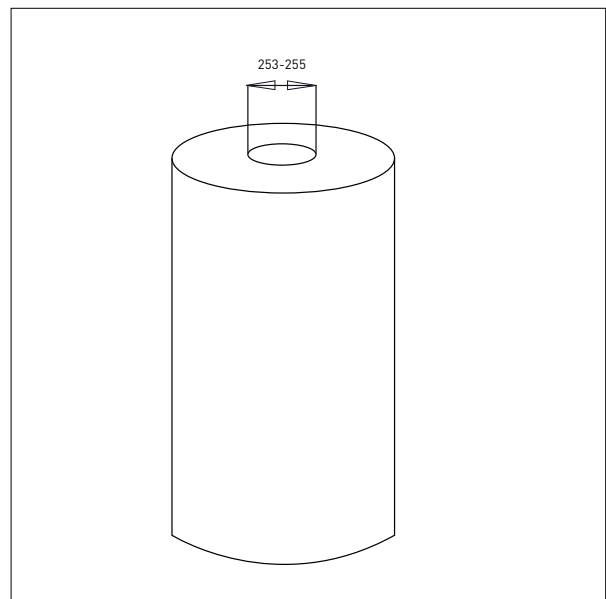
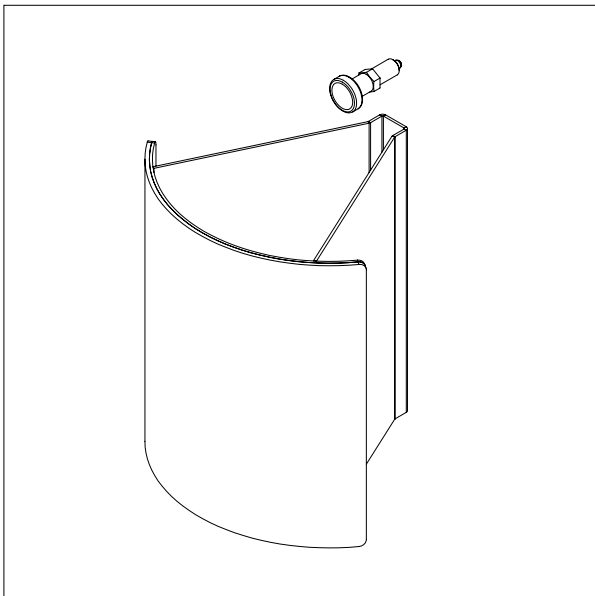
MANDRIL ENLARGER - CL1

For: $\varnothing 152$ mm/6"



MANDRIL ENLARGER - CL2

For: $\varnothing 254$ mm/10"



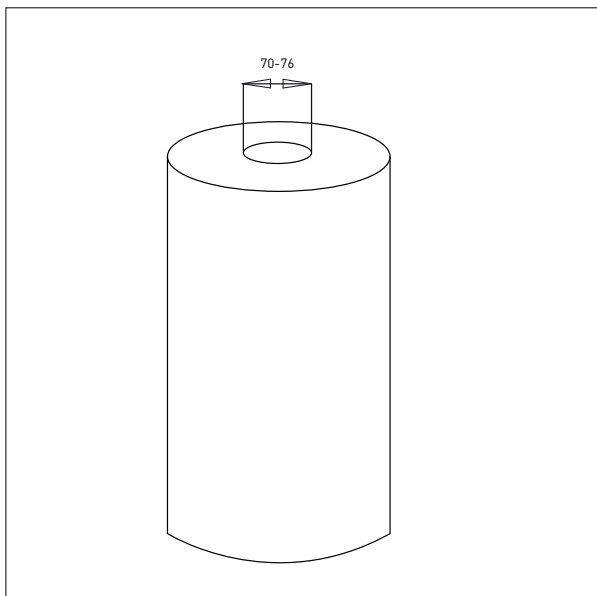
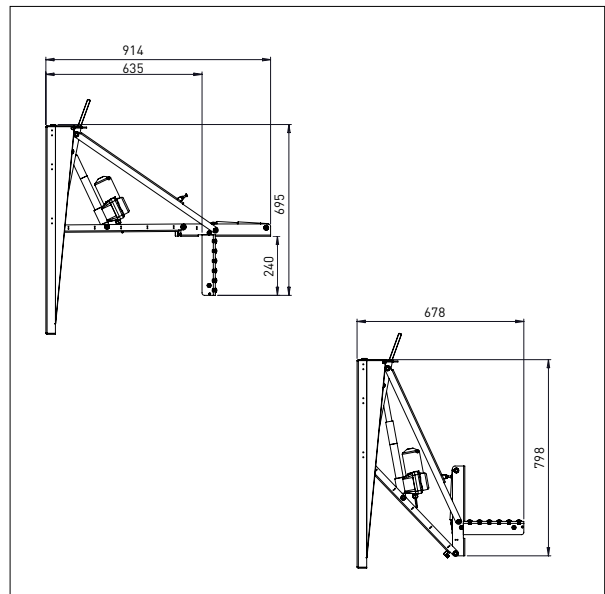
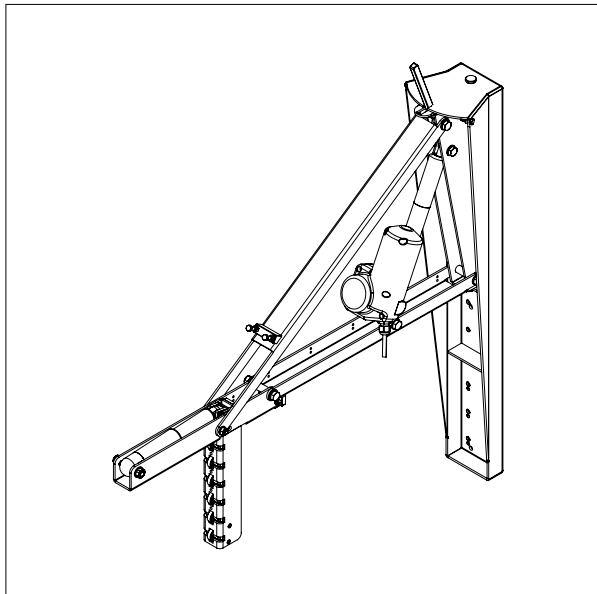
INOX 200 / ELECTRIC TOOLS

REEL MANIPULATOR

- All measurements in mm

REEL MANIPULATOR - VER

Reel manipulator – Full Electric Reel Manipulator



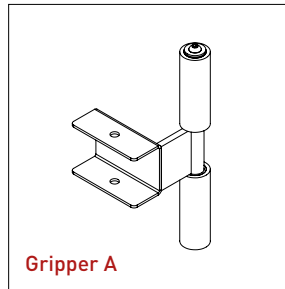
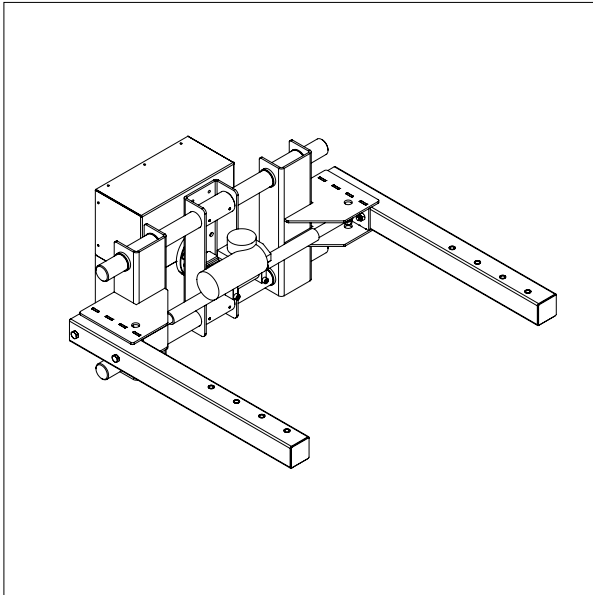
INOX 200 / ELECTRIC TOOLS

LINEAR GRIPPING

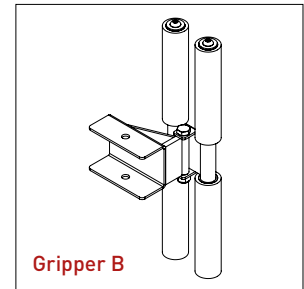
- All measurements in mm

LINEAR CLAMP – EG6

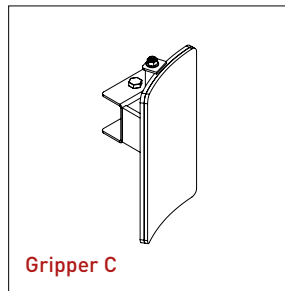
Linear gripping with sideways turning function



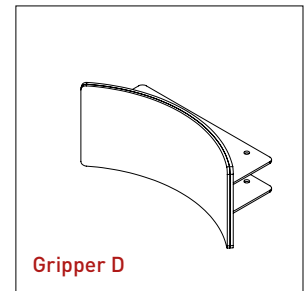
Gripper A



Gripper B



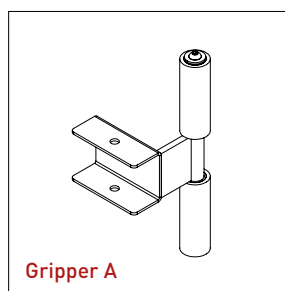
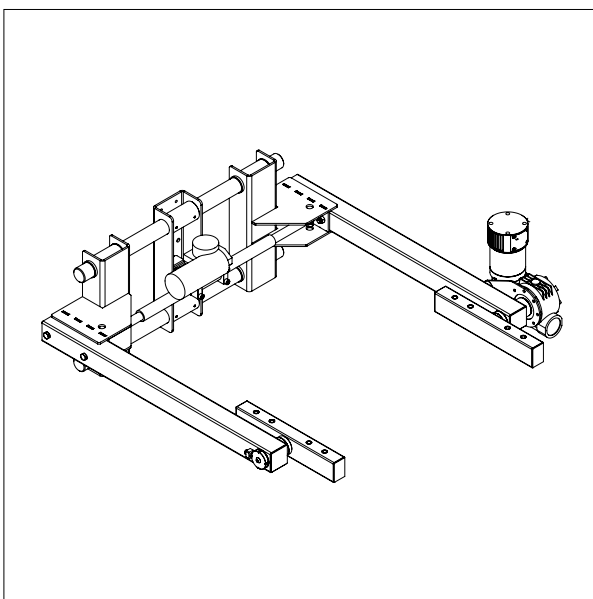
Gripper C



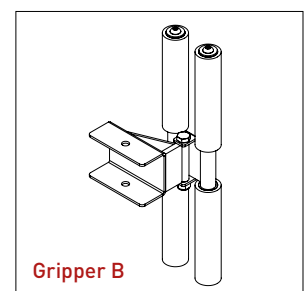
Gripper D

LINEAR CLAMP – EG8

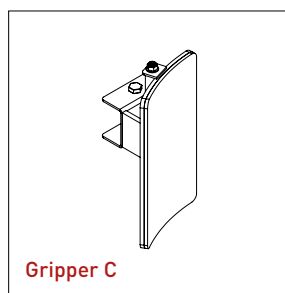
Linear gripping with forward turning function



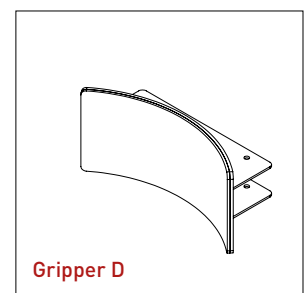
Gripper A



Gripper B



Gripper C



Gripper D

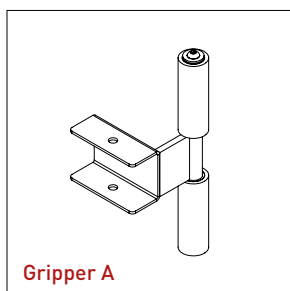
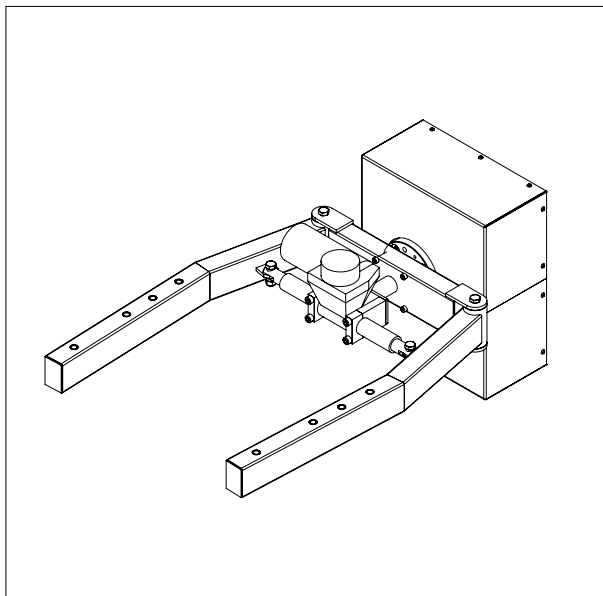
INOX 200 / ELECTRIC TOOLS

QUICK CLAMP

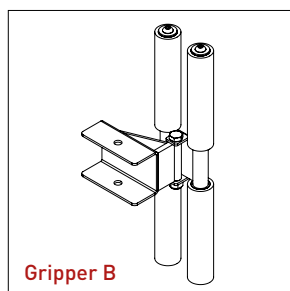
- All measurements in mm

QUICK CLAMP – QC6

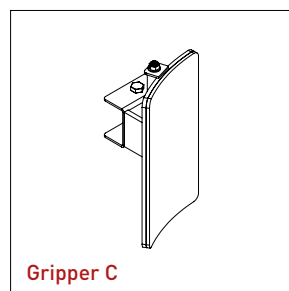
With turning function



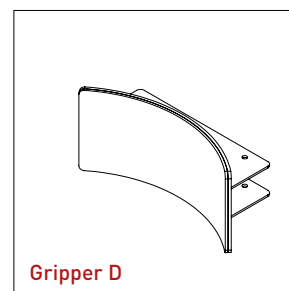
Gripper A



Gripper B



Gripper C



Gripper D