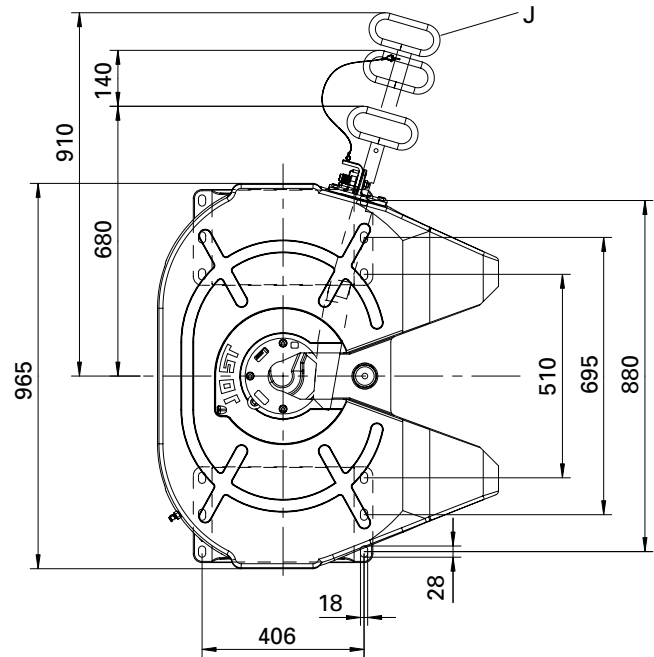
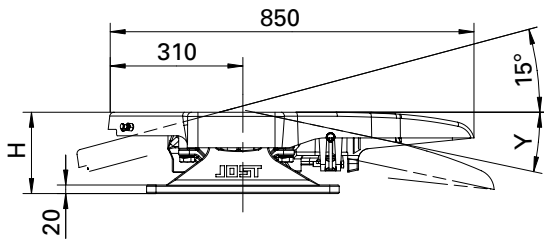


Heavy duty – Fifth wheel coupling · JSK 38 C1

Advantages at a glance

- Especially robust heavy duty fifth wheel coupling
- Especially for use on poor road conditions
- Shock-absorbing rubber bearing
- Retrofittable from 2" or 3 1/2" and vice versa



Selection table / Versions available

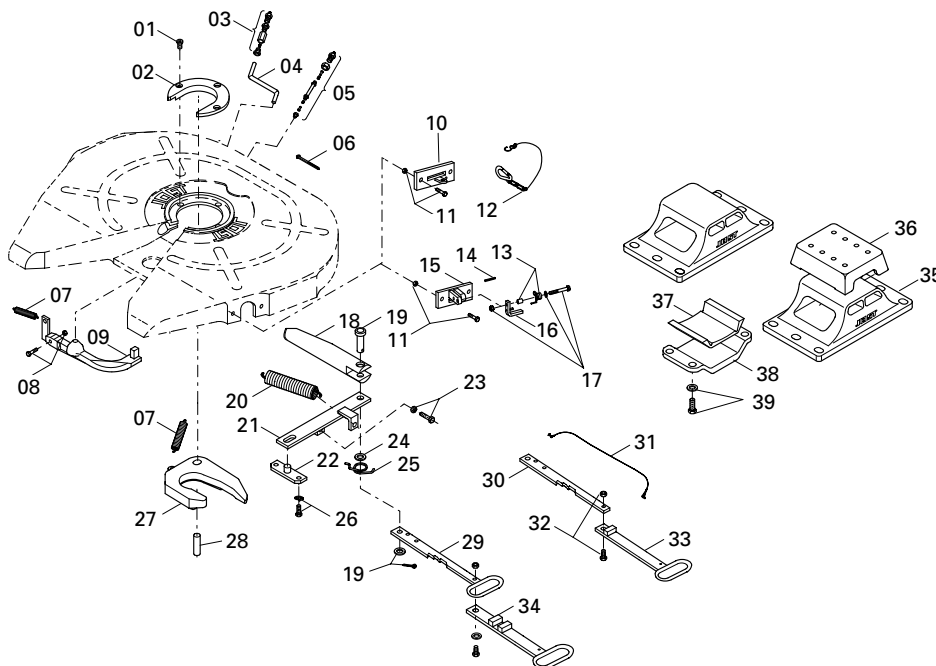
Order No.	H (mm)	Y	D value (kN)	Lock	Imposed load U (t)	Weight (kg)	Approval (ECE)	WA	ZL
JSK 38 C0 21 16 AA*	160	12°	260	3 1/2"	36	184.0	E1 55R-01 0471	M	K
JSK 38 C0 21 16 DJ*	160	12°	260	3 1/2"	36	184.0	E1 55R-01 0471	Z	K
JSK 38 C1	190	12°	260	3 1/2"	36	190.0	E1 55R-01 0471	M	K
JSK 38 C1 Z	190	12°	260	3 1/2"	36	190.0	E1 55R-01 0471	Z	K
JSK 38 C1 J	190	12°	260	3 1/2"	36	191.0	E1 55R-01 0471	M	J
JSK 38 C0 40 67 DJ	190	12°	260	3 1/2"	36	191.0	E1 55R-01 0471	Z	J
JSK 38 C0 40 BR AA	190	12°	260	3 1/2"	36	202.0	E1 55R-01 0471	LT5P ST	J
JSK 38 C0 40 BV BB	190	12°	260	3 1/2"	36	202.0	E1 55R-01 0471	LT5P MB	K
JSK 38 C0 40 DP CL	190	12°	260	3 1/2"	36	202.0	E1 55R-01 0471	LT5P MAN	K
JSK 38 C0 70 16 AA	250	15°	260	3 1/2"	36	205.0	E1 55R-01 0471	M	K
JSK 38 C0 70 16 DJ	250	15°	260	3 1/2"	36	205.0	E1 55R-01 0471	Z	K
JSK 38 C0 70 67 AA	250	15°	260	3 1/2"	36	205.0	E1 55R-01 0471	M	J
JSK 38 C0 70 67 DJ	250	15°	260	3 1/2"	36	205.0	E1 55R-01 0471	Z	J
JSK 38 C0 70 BR AA	250	15°	260	3 1/2"	36	206.0	E1 55R-01 0471	LT5P ST	J
JSK 38 C0 70 BV BB	250	15°	260	3 1/2"	36	206.0	E1 55R-01 0471	LT5P MB	K
JSK 38 C0 70 Q8 AA	250	15°	260	3 1/2"	36	206.0	E1 55R-01 0471	LT5P MAN	K
JSK 38 C0 21 17 AA*	160	12°	170	2"	28	184.0	E1 55R-01 0472	M	K
JSK 38 C0 21 17 DJ*	160	12°	170	2"	28	184.0	E1 55R-01 0472	Z	K
JSK 38 C1-2	190	12°	170	2"	28	190.0	E1 55R-01 0472	M	K
JSK 38 C1-2Z	190	12°	170	2"	28	190.0	E1 55R-01 0472	Z	K
JSK 38 C1-2J	190	12°	170	2"	28	191.0	E1 55R-01 0472	M	J
JSK 38 C1-2ZJ	190	12°	170	2"	28	191.0	E1 55R-01 0472	Z	J
JSK 38 C0 40 T8 AA	190	12°	170	2"	28	202.0	E1 55R-01 0472	LT5P ST	K
JSK 38 C0 40 BW BB	190	12°	170	2"	28	202.0	E1 55R-01 0472	LT5P MB	K
JSK 38 C0 40 D0 CL	190	12°	170	2"	28	202.0	E1 55R-01 0472	LT5P MAN	K
JSK 38 C0 70 17 AA	250	15°	170	2"	28	205.0	E1 55R-01 0472	M	K
JSK 38 C0 70 17 DJ	250	15°	170	2"	28	205.0	E1 55R-01 0472	Z	K
JSK 38 C0 70 68 AA	250	15°	170	2"	28	205.0	E1 55R-01 0472	M	J
JSK 38 C0 70 68 DJ	250	15°	170	2"	28	205.0	E1 55R-01 0472	Z	J
JSK 38 C0 70 T8 AA	250	15°	170	2"	28	206.0	E1 55R-01 0472	LT5P ST	K
JSK 38 C0 70 BW BB	250	15°	170	2"	28	206.0	E1 55R-01 0472	LT5P MB	K

Explanatory notes for the selection tables please refer to page 27.

JSK 38 C is in the mounting height of 160 mm only permissible in combination with mounting plate (mounting unit see JSK 38 MC) and for installation in heavy duty sliders EV HD800-6 (serial no. 2599104 and higher) and EV HD85.

JSK 38 C1/C1- 2" / ... Z

Spare parts

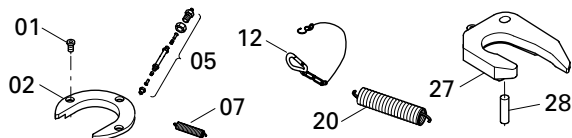


Item	Description	Remark	Order No.	per JSK
01	Socket head bolt		SK 2421-08	3
02	Wearing ring	3 1/2", compl. with 01	SK 2421-56	1
03	Wearing ring	2", compl. with 01	SK 2421-57	1
02	Nut and bolt		SK 1976	1
04	Lubrication tube		SK 2205-12	1
05	Lubrication tube	compl. with 06, for type Z	SK 2508-02	1
06	Cable tie		SK 3121-13	1
07	Tension spring		SK 2106-01	2
08	Hexagon bolt	compl.	SK 2421-51	1
09	Latch		SK 2405-27	1
10	Guide plate	to xx60xxxxxx	SK 2405-22	1
11	Hexagon bolt	compl.	SK 2421-50	2
12	Spring hook	compl. to xx60xxxxxx	SK 1436	1
13	Spring noose	compl. from xx63xxxxxx	SK 2921-30	1
14	Clamping pin		NTE 000000400	1
15	Latch holder	compl. with 14, from xx63xxxxxx	SK 2405-084	1
16	Latch	compl. from xx63xxxxxx	SK 3121-52	1
17	Hexagon bolt	compl. from xx63xxxxxx	SK 3521-03	1
18	Locking bolt		SK 2405-01	1
19	Bar bolt	compl.	SK 2121-14	1
20	Double tension spring		SK 2405-23	1
21	Lever		SK 2405-04	1
22	Bearing		SK 2405-15	1
23	Hexagon bolt	compl.	SK 2421-52	1

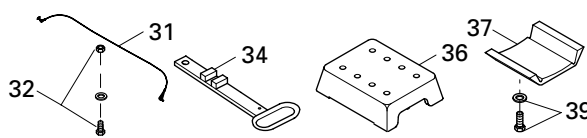
Item	Description	Remark	Order No.	per JSK
24	Washer		SK 2405-19	1
25	Spring noose		SK 2405-09	1
26	Hexagon bolt	compl.	SK 2421-53	2
27	Lock jaw	3 1/2"	SK 2405-14	1
27	Lock jaw	compl. with 06, 3 1/2" for type Z	SK 2405-14 Z	1
27	Lock jaw	2"	SK 2405-13	1
27	Lock jaw	compl. with 06, 2" for type Z	SK 2405-13 Z	1
28	Bolt		SK 2405-18	1
29	Handle	standard version	SK 2405-066	1
30	Locking bolt	f. type J, from xx63xxxxxx	SK 2405-067	1
31	Latch cord	compl. from xx63xxxxxx	SK 3521-02	1
32	Hexagon bolt	compl. for type J, from xx63xxxxxx	SK 2421-50	1
33	Handle	f. type J, from xx63xxxxxx	SK 3105-113	1
35	Pedestal BH 160		SK 2404-05	
35	Pedestal BH 190		SK 2404-01	2
35	Pedestal BH 250		SK 2404-04	2
36	Rubber cushion, upper		SK 2006	2
	Rubber cushion, upper	with steering wedge	SK 2006 L	2
37	Rubber cushion, lower		SK 2007	2
38	Bridge		SK 2005	2
39	Hexagon bolt	compl.	SK 2421-55	8

* Construction with pedestal 160 mm only permissible in combination with mounting plate MP 0119-113, EV HD800-06 or EV HD85.

Repair and retrofit kits



Item	Description	Order No.
01, 02, 07, 12, 20, 27, 28	Repair kit for lock 3 1/2", for type C	SK 2421-76
01, 02, 05, 07, 12, 20, 27, 28	Repair kit for lock 3 1/2", for type CZ	SK 2421-76 Z
01, 02, 07, 12, 20, 27, 28	Repair kit for lock 2", for type C	SK 2421-77
01, 02, 05, 07, 12, 20, 27, 28	Repair kit for lock 2", for type CZ	SK 2421-77 Z
36, 37, 39	Repair kit for bearing for type C/CZ	SK 2421-78



Item	Description	Order No.
01, 02, 07, 27	Conversion kit for lock 3 1/2" in 2", for type C	SK 2421-98
01, 02, 07, 27	Conversion kit for lock 3 1/2" in 2", for type CZ	SK 2421-98 Z
01, 02, 07, 27	Conversion kit for lock 2" in 3 1/2", for type C	SK 2421-99
01, 02, 07, 27	Conversion kit for lock 2" in 3 1/2", for type CZ	SK 2421-99 Z
31, 32, 34	Retrofit kit handle extension compl., for type C/CZ	SK 3121-063

Repair instructions at www.jost-world.com

Spare parts for LubeTronic 5Point please refer to LubeTronic 5Point.