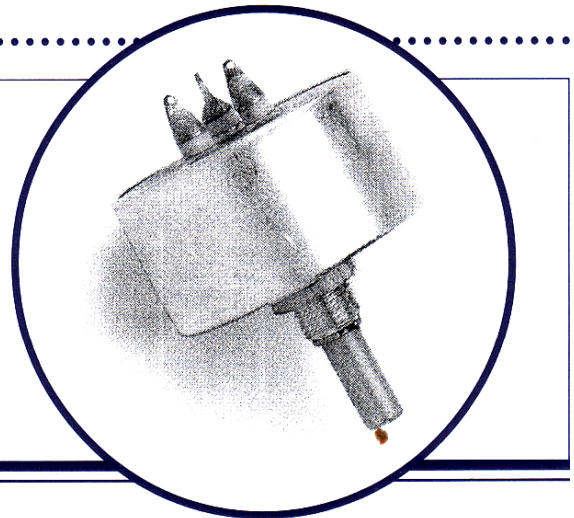


Wirewound Potentiometer Sealed

CLR 4517/M25 100 Ohms +/- 10%

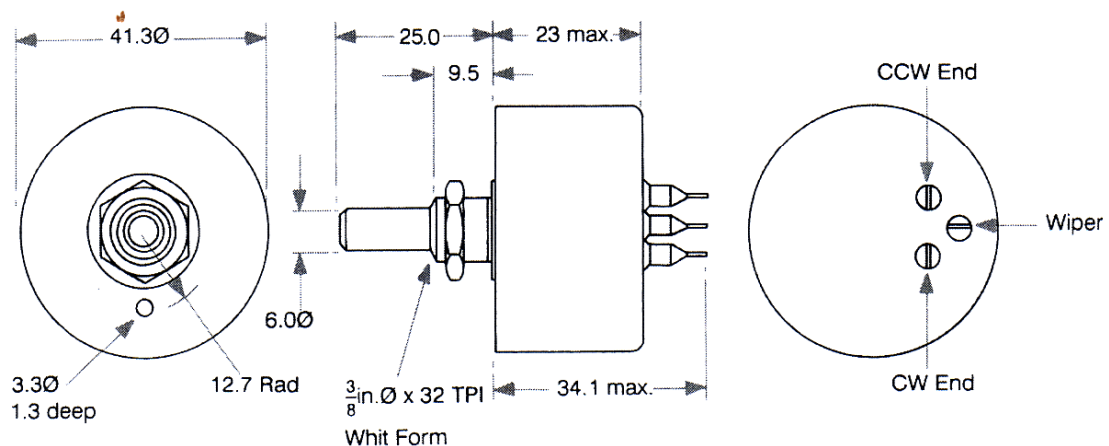
- Panel control potentiometer
- Sealed construction
- Spindle and panel seals
- Oil filled
- RoHS compliant
- Part No :- 45170M25100RCAA



High quality container sealed, wirewound panel control of robust and reliable construction, with spindle and panel seals. Aluminium case and bushing; Anodized aluminium alloy spindle and fixing nut; locking washer; nickel plated brass lid; silver plated brass tags insulated from lid by ceramic standoffs.

Electrical Data

Standard resistance range	100 Ohms
Selection tolerance	+/- 10%
Angle of effective rotation	270° +/- 5°
Total mechanical rotation	290° +/- 10°
Power rating	5.0 @ 20°C (2.5W @ 70°C)
Isolation voltage	1000 V a.c. peak
Rotational Noise	100 Ohms E.N.R. maximum
Linearity	+/- 1.0% typical
Starting torque	7 to 70 mNm
End stop torque	1100 mNm maximum
Rotational life	25,000 shaft revolutions



General Note

AB Electronic Limited reserves the right to make changes in product specification without notice or liability. All information is subject to AB's own data and is considered accurate at time of going to print.