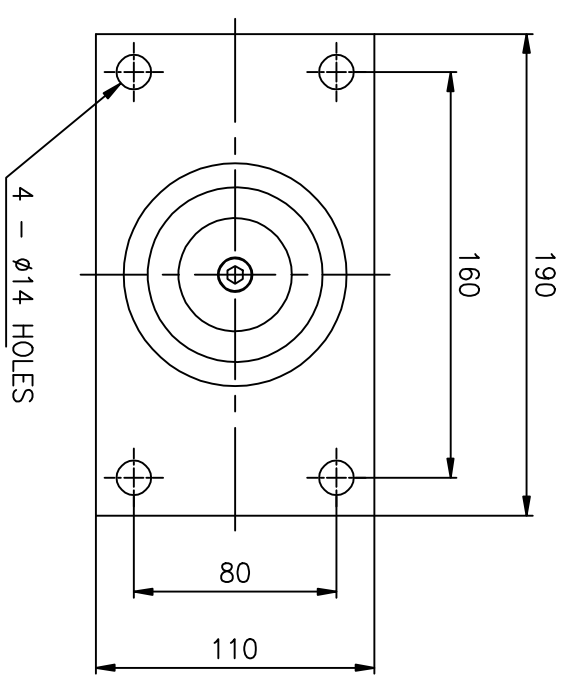
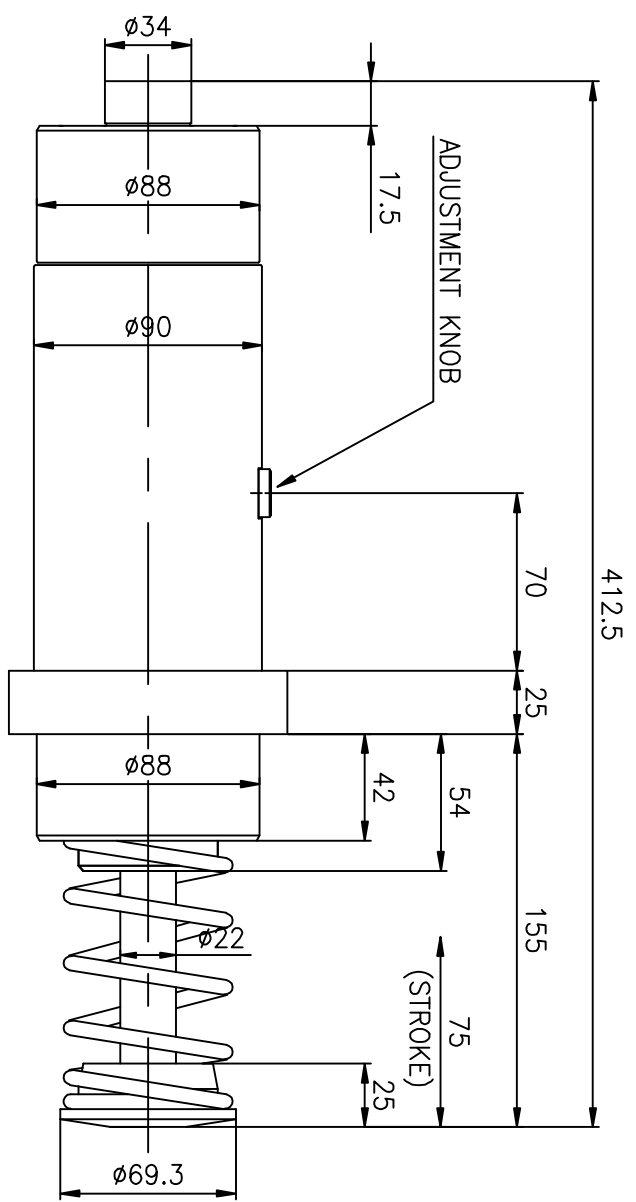


NO.	DESCRIPTION	MATERIAL	QTY	SIZE	DWG. NO.	WEIGHT(kg)	REMARK
						UNIT	TOTAL



MODEL	ENERGY/CYCLE	ENERGY/HOUR	MAX. SHOCK FORCE	STROKE	WEIGHT	COLOR
PHA90X75-F	4750Nm	1282000Nm	100000N	75MM	12kg	BLACK OXIDE

DATE	DATE	DATE	DATE	DATE	DATE	DATE	DATE	DATE	DATE
DESIGNED	CHECKED	REVIEWED	APPROVED	SCALE	N/S	DATE	DATE	DATE	DATE
JPI JINOO PRODUCTS INC. TITLE: OUT LINR DRAWING PHA90X75-F DWG. NO.: JIPHA4-090075-001									
1:1 2006.05.10 DATE NAME									