



APPLICATION

For counter-clamping workpieces on turning and grinding machines. Optimally suited as counter-centre for face drivers.

TYPE

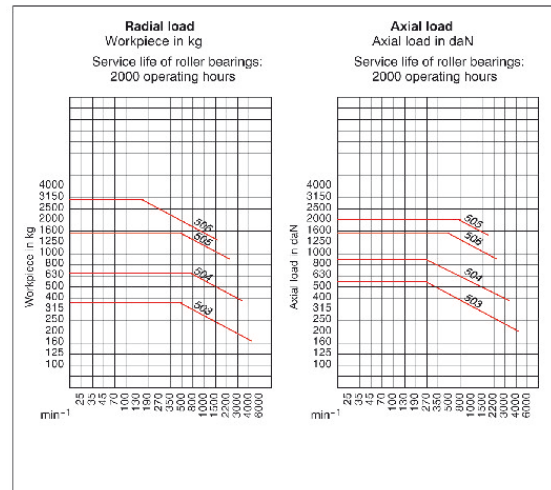
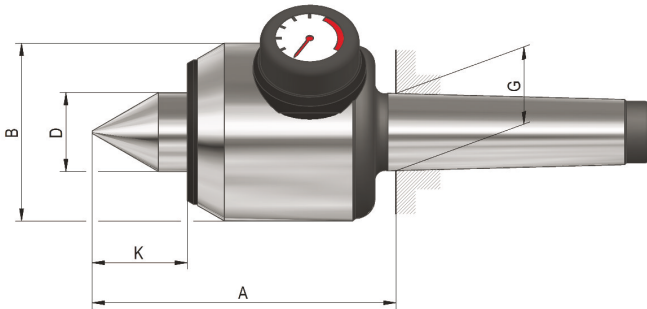
With pressure display and length compensation.

CUSTOMER BENEFITS

- ⌚ Fast adjustment and check of axial load by means of pressure display
- ⌚ Resilient live centre for safe, deformation-free workpiece clamping
- ⌚ Maximum concentricity deviation of 0.01 mm for maximum precision

TECHNICAL FEATURES

- Body hardened and ground
- Tip angle 60°



A06 AC Control with pressure display and length compensation as counter-centre for face drivers body hardened and ground - tip angle 60°

Item no.	060798	060874	060906	060915
Mount MT	3	4	5	6
Size	503	504	505	506
A mm	105	123.5	160.5	202
B mm	64	72	95	120
D mm	25	32	40	52
G mm	23.825	31.267	44.399	63.348
K mm	31	38.5	49	59
Weight approx. g	2100	3500	8300	17000
Spring way max. mm ¹⁾	1.6	2	1.8	2.7
Axial load max. N	5500	9000	15000	20000
Workpiece weight max. kg	400	800	1600	3200
Concentricity deviation max. mm	0.01	0.01	0.01	0.015
Speed max. min ⁻¹	4000	3500	2500	1800
Spare live centres	009192	009205	009325	009413

¹⁾ at max. axial load